

# Tumble dryer

## T4130, T4130C

### Features and benefits

- Compass Control microprocessor
  - One knob operation for Program Selection and Start
  - Language selection
  - Large and clear display
- Residual Moisture Control for an accurate drying result and a low energy consumption
- Reversing drum for less tangling of large items
- Stainless steel drum
- Reversible door hanging for a convenient laundry flow
- Easy access to vital parts from the top and rear for simple servicing
- Service program for adjustment parameters eg. temperature, cool-down time



### Main options

- Stainless steel front
- Payment: coinmeter, chip card reader, CP connection
- Stacking frame for mounting T4130 on top of W455H
- Stainless steel base frame
- Integrated condense system

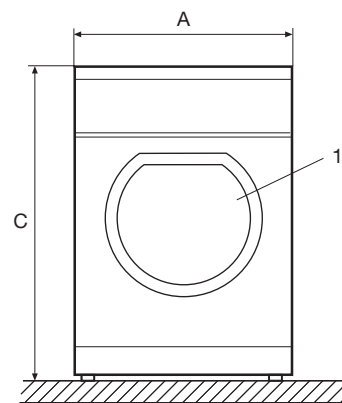
Main specifications		T4130	T4130C
Rated capacity	kg/lb	5.5/12	5.5/12
Drum volume	litre	130	130
Drum diameter	mm	575	575
Heating alternatives electric	kW	5.1	3.0
<b>Consumption data*</b>			
Total time full load	min	34	59
Energy consumption full load	kWh	2.75	3
Evaporation	g/min	81	43
Energy kWh/litre water evaporated	kWh	0.93	1.16

\* At rated capacity 100% cotton load at 50% initial moisture dried to 0%.

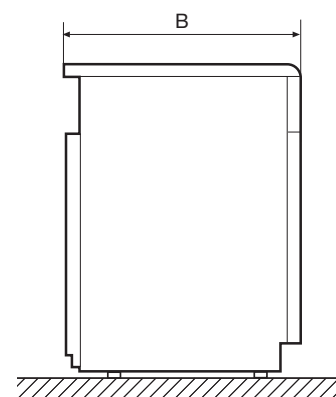
Certified in accordance with ISO 9001 and ISO 14001 and approved IP X4.

Electrical connections*		T4130	T4130C
Voltage			
220-240V 3AC 50/60 Hz	kW(A)	5.3 (16)	3.4 (16)
220-240V 1AC 50/60 Hz	kW(A)	3.4 (16)	3.4 (16)
400-440V 3NAC 50/60 Hz	kW(A)	5.3 (10)	3.4 (10)
<b>Connections</b>			
Air outlet	mm	ø 100	-
Evacuated air	m <sup>3</sup> /h	260	-
Condensate		-	1/2"
Pressure drop	Max. Pa	50	-
<b>Sound levels</b>			
Airborne sound level	dB(A)	<70	<70
<b>Heat emission</b>			
% of installed power, max		15	15
<b>Shipping data</b>			
	net, kg	60	63
	crated, kg	67	70
	boxed, kg	101	101
Shipping volume	crated, m <sup>3</sup>	0.52	0.52
	boxed, m <sup>3</sup>	0.63	0.63
<b>Accessories</b>			
Stacking frame for mounting T4130 on top of W455H		x	x
Stainless steel base frame		x	x
<b>Dimensions in mm</b>			
<b>A</b> Width		595	595
<b>B</b> Depth		735	735
<b>C</b> Height		850	850
<b>D</b>		78	78
<b>E</b>		78	78
<b>F</b>		100	100
<b>G</b>		197	197
<b>H</b>		235	235
<b>I</b>		115	115
<b>J</b>		300	300
<b>K</b>		70	70
<b>1</b> Door opening ø 370	<b>3</b> Exhaust connection		
<b>2</b> Electrical connection	<b>4</b> Condensate connection		

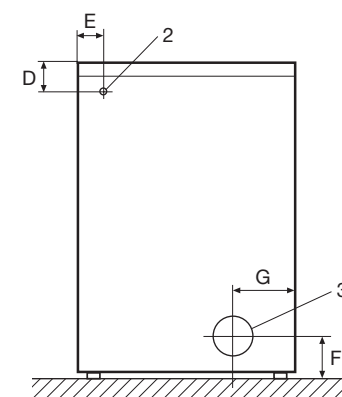
\* Other voltages available, see installation manual.



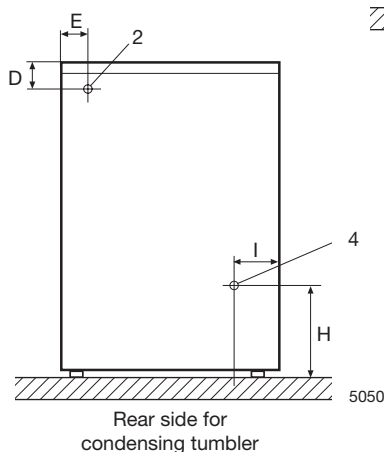
Front



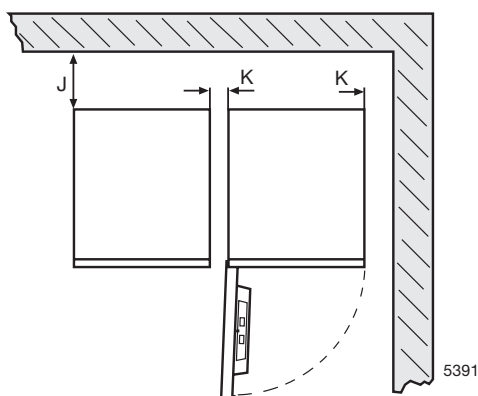
Right side



Rear side



Rear side for condensing tumbler



**Electrolux**

**ELECTROLUX LAUNDRY SYSTEMS**

Lundtoftegaardsvej 93A, DK-2800 Lyngby, Denmark  
 Telephone: +45 4526 4800. Telefax: +45 4526 4801  
 Internet: [www.electrolux.com/laundrysystems](http://www.electrolux.com/laundrysystems)  
 E-mail: [els.info@electrolux.com](mailto:els.info@electrolux.com)

**The Electrolux Group.** The world's No.1 choice.

The Electrolux Group is the world's largest producer of powered appliances for kitchen, cleaning and outdoor use. More than 55 million Electrolux Group products (such as refrigerators, cookers, washing machines, vacuum cleaners, chain saws and lawn mowers) are sold each year to a value of approx. USD 14 billion in more than 150 countries around the world.

Art. No. 471150851/01 05.27  
 We reserve the right to alter specifications without notice.