

Installation manual

W455H

Contents

Contents

Technical data	3
Installation	7
Siting.....	7
Unpacking	8
Mechanical installation	9
Water supply.....	10
Drain	11
Electrical installation.....	12
Machine connection options	13
Connection of external liquid supplies	14
Marine installation	21
Function checks	23



Safety



This machine can only be used with water. Never use dry cleaning agents.

Do not allow children to operate the machine.

Do not hose down or spray the machine with water.

All mechanical and electrical installation must be carried out by qualified personnel.

Do not bypass the door locking device.

Should the machine malfunction, please report the fault to the technician responsible for the machine.

The manufacturer reserves the right to make changes in design and materials specifications.

Technical data

		W455H
Innerdrum, volume	litres	53
diameter	mm	452
depth	mm	332
Drum speed		
wash	rpm	35/54
extraction		1300
Heating		
electricity	kW	4.4
steam		–
hot water		x
G-factor		425
Weight, net	kg	102

Connections

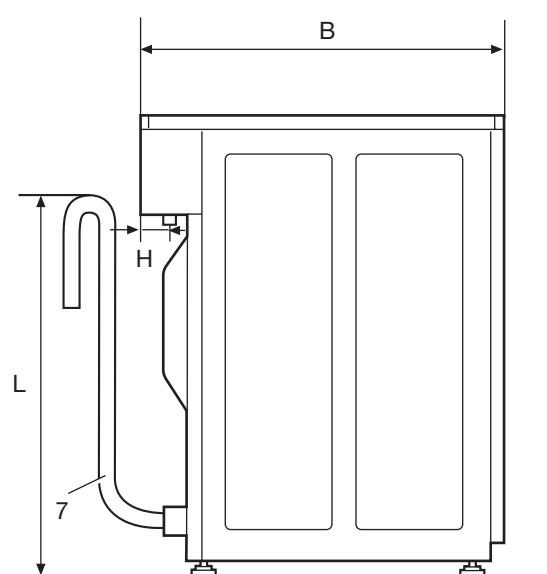
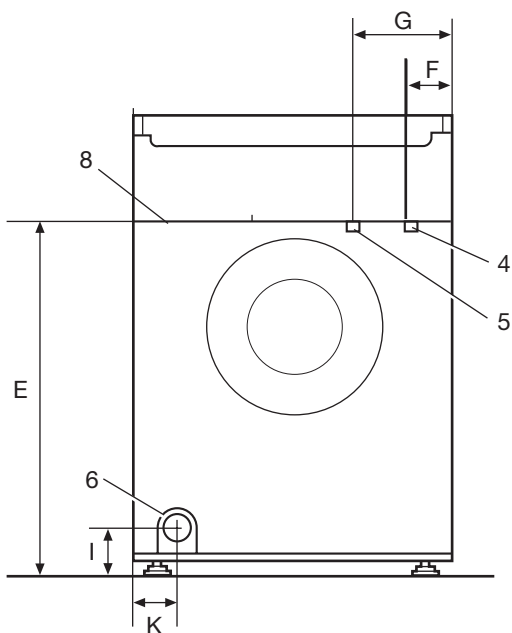
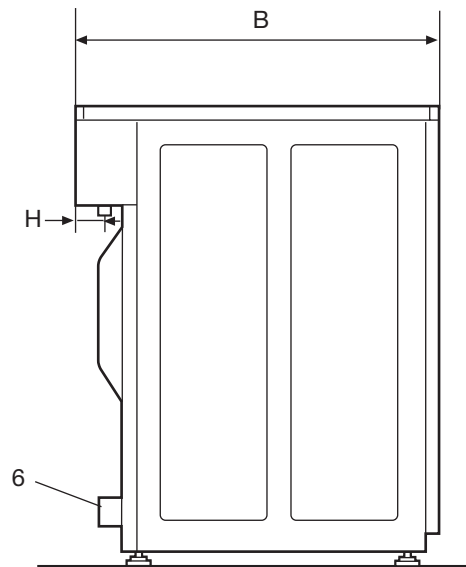
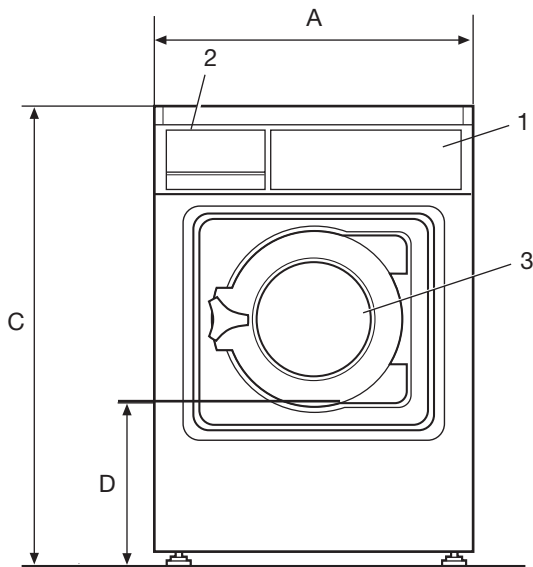
Water valves	connection BSP	DN20 3/4"
Capacity at 300 kPa	l/min	17
Drain valve	outer Ø mm	50
Draining capacity	l/min	160

Technical data

1	Control panel
2	Soap box
3	Door opening $\varnothing 255$
4	Cold water
5	Hot water
6	Drain, valve
7	Drain, pump
8	Electrical connection

A	B	C	D	E	F	G	H	I	K	L
595	680	850/875*	305	660	80	195	60	90	80	650

* Adjustable height, 25 mm



Frequency of the dynamic force	Hz	20
Max floor load at extraction	kN	1.2±0.3

Sound levels

	A	B
Solid sound level in dB (A) re 10 ⁻⁹ mm/sec (44-707 Hz)	76	62
Airborne sound level dB (A) re 2x10 ⁻⁵ Pa	51/71*	45/59*
Vibration level (m/sec ²)	0.36	0.66
Vibration speed (mm/sec)	57	83

A = Standard

B = With insulation

* = Wash/extraction

Installation

Leave the machine on the pallet on which it was delivered until the installation site has been prepared to receive it.

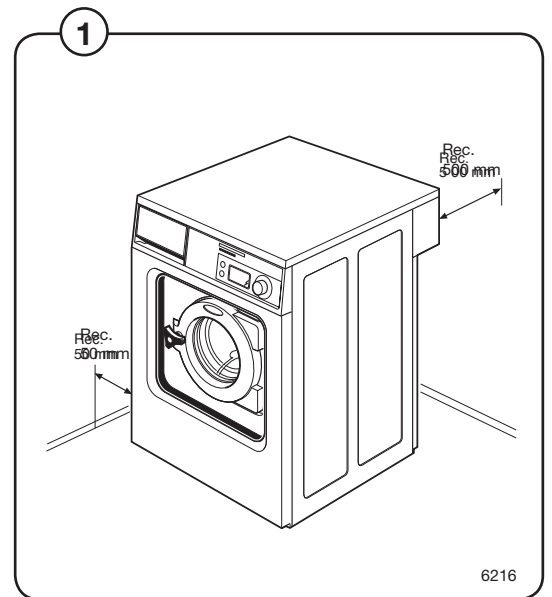
Siting

Install the machine close to a floor drain or open waste water channel.

The following clearances are recommended for easier installation and servicing:

- 1 • at least 500 mm between the machine and the wall behind it.
- at least 50 mm on each side of the machine, whether it is next to a wall or to other machines.

A clearance of 70 mm may be required between the machine and the 130-litre tumble dryer depending on which way the dryer's door opens.

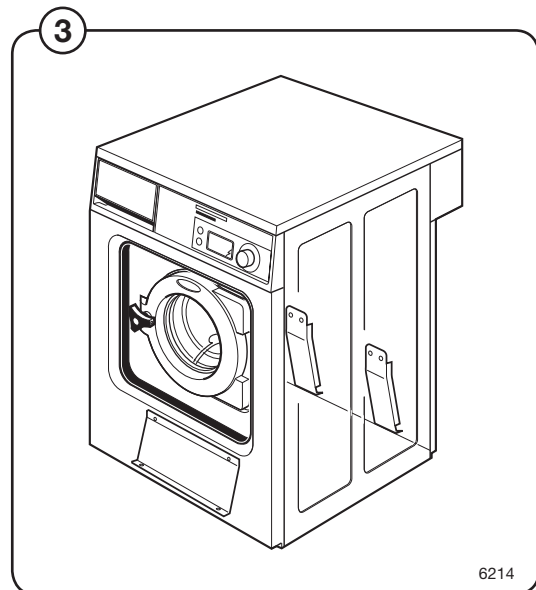
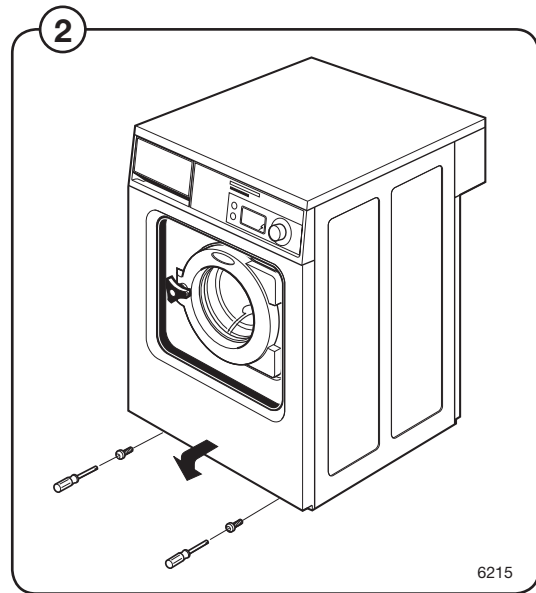


Unpacking

In transit the machine's drum is locked in place by three locking devices between chassis and drum.

Instructions for installing machine and removing transit locking devices, step by step:

- Remove the packaging.
- Remove the components shipped inside the drum.
- ② • Remove the front panel by undoing the two screws on its bottom edge.
- Remove the rear panel by undoing the screws.
- ③ • Remove the three transport securities, one at the front and two at the back. Save the transport securities if the machine needs to be moved sometime in the future.





Mechanical installation

- ④ • Mark and drill 2 holes (ø 8 mm) about 40 mm deep in the positions shown.

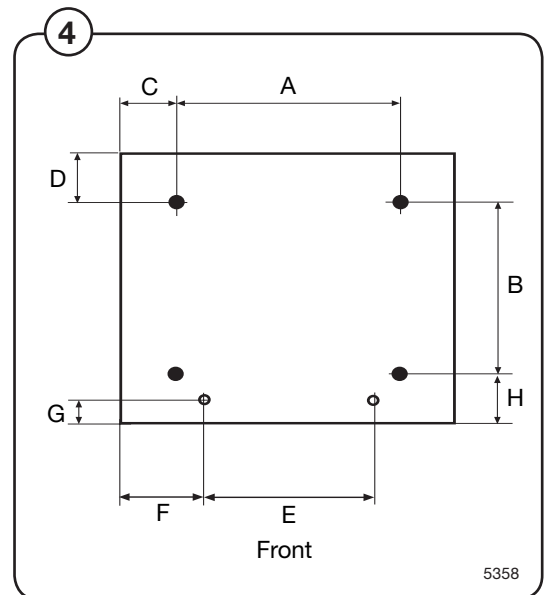
A	B	C	D	E	F	G	H
530	490	35	125	290	150	40	50

- = position of feet
- = drilling points for expander bolts
- The machine shall be lifted in the bottom frame.
- Place the machine over the two drilled holes.
- Check that the machine is placed in level. Adjust with the feet.

It is of the utmost importance that the machine is placed in level, from side to side as well as front to rear. If the machine is not properly levelled, it may result in out-of-balance without a real out of balance in the drum.

- Insert the expansion bolts supplied into the holes drilled in the floor. Fit the washers and nuts, and tighten well.



Water supply

Each water supply line to the machine should be fitted with a manual shut-off valve and debris filter to facilitate servicing. Check the local regulations to determine whether non-return valves are required.

Connection hoses should be of the quality required according to regulations in the country of use.

Water pressures:

minimum: 40 kPa (0.4 kp/cm²)

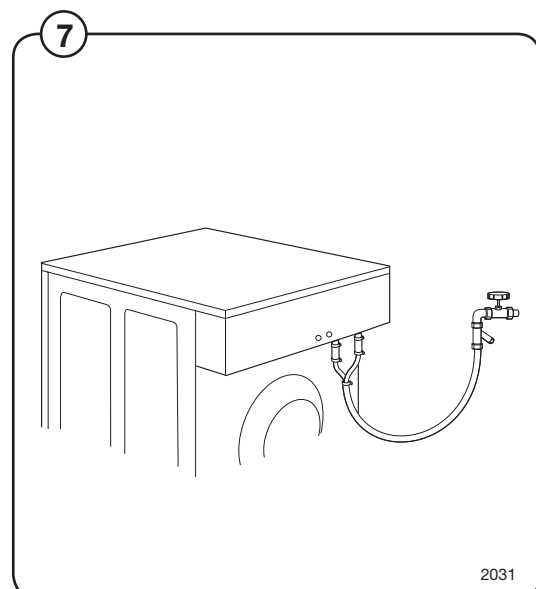
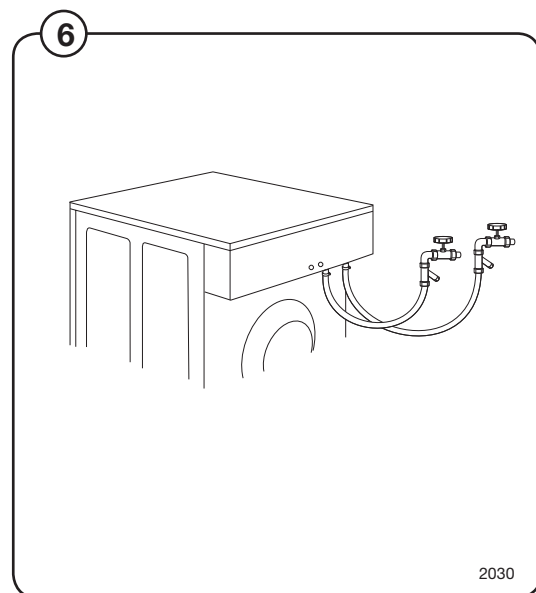
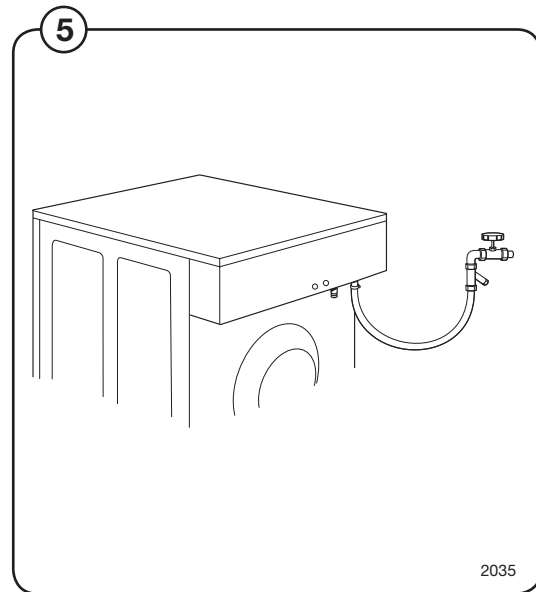
maximum: 1 MPa (10 kp/cm²)

recommended: 0.2-0.5 MPa (2-5 kp/cm²)

Hoses and pipes should be flushed through before being connected to the machine. Make sure the hoses have no sharp bends or angles.

The machine can have one or two supply hoses, DN 20 (R 3/4").

- ⑤ Machine with cold water intake only.
- ⑥ Machine with hot and cold water intake.
- ⑦ Machine with hot and cold water intake, but plumbed for cold only because hot not available. Both valves must be connected even if there is only one water supply present.



Drain

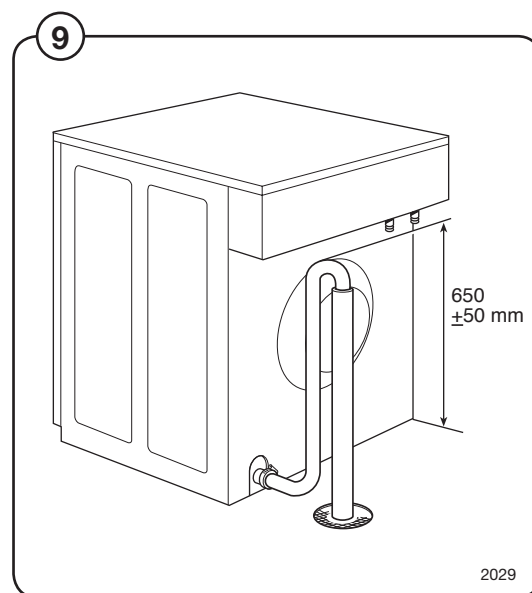
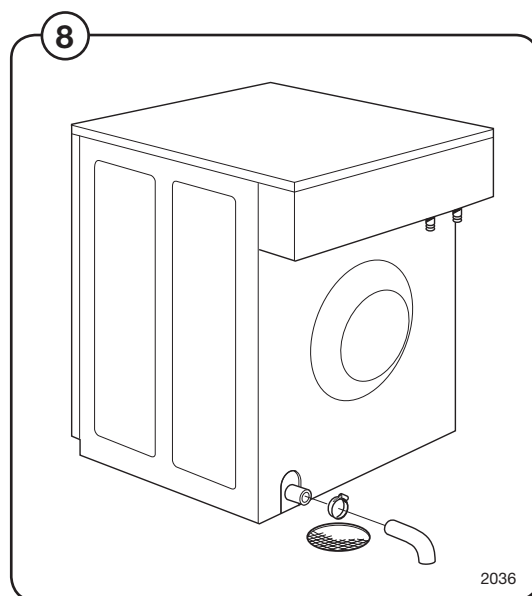
Direct discharge

- ⑧ Attach the drain hose to the machine's drain outlet and install so it empties (min 25 mm) above the floor drain or waste water channel.

Pump drain

- ⑨ Position the highest part of the drain hose 650 ± 50 mm above the lowest part of the machine.

Make sure that there are no kinks in the hose.



Electrical installation



Electrical installation must be carried out by an authorised electrician.



- Install a multi-pole switch for the machine's electrical supply.
- Connect the machine's cable to the switch.
- Check that the earth has been connected in the correct way.

Fuse ratings are given in the table.

For the rating of the supply cable, check the local regulations.
Min. outer diameter for supply cable \varnothing 10 mm.



Heating type	Voltage type	Total rating kW	Fuse A
EI. 4.4 kW	400-415V 3NAC 50 Hz	4.7	10
EI. 4.4 kW	230V 3AC 50/60 Hz	4.8	20
EI. 4.4 kW	230-240V 1AC 50/60 Hz	4.8	25
EI. 2,2 kW	208-230V 1AC 50 Hz	2.7	16
EI. 3.0 kW	380V 3AC T 50/60 Hz	3.5	10
EI. 3.3 kW	400V 3AC T 50/60 Hz	3.8	10
EI. 3.3 kW	200V 3AC 50/60 Hz	3.8	16
EI. 4.0 kW	440V 3AC T 50/60 Hz	4.5	10
EI. 2.2 kW	208-240V 1AC 50/60 Hz	2.7	16
Non heated	208-240V 1AC 50/60 Hz	0.9	10
	200V 1AC 50/60 Hz	1.1	10

Machine connection options






Switchover or reconnection of the machine may only be performed by qualified, authorised personnel.

This machine can be switched/reconnected following the options set out below.






The machine cannot be switched from 50 Hz to 60 Hz or vice versa.

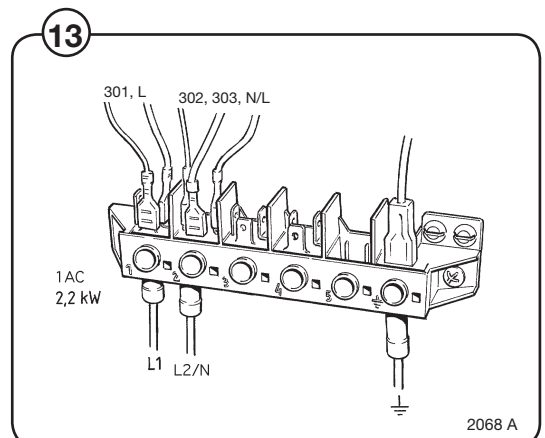
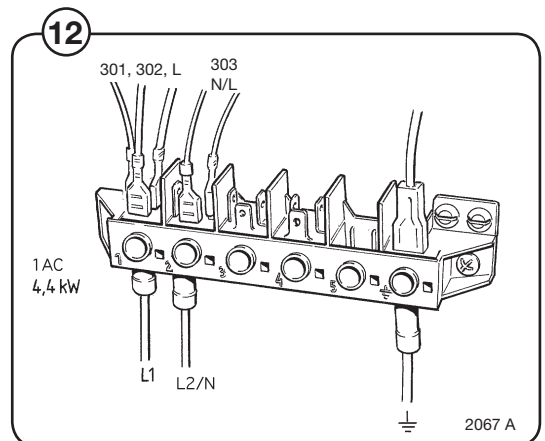
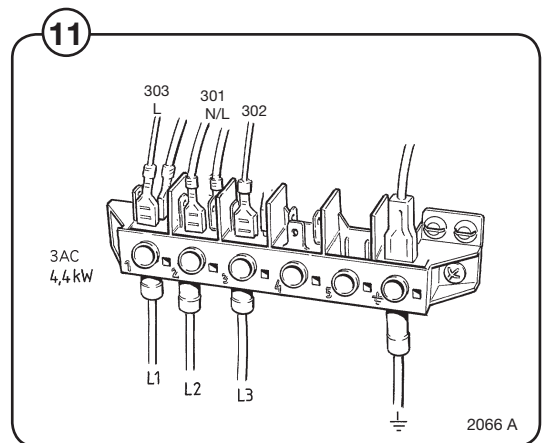
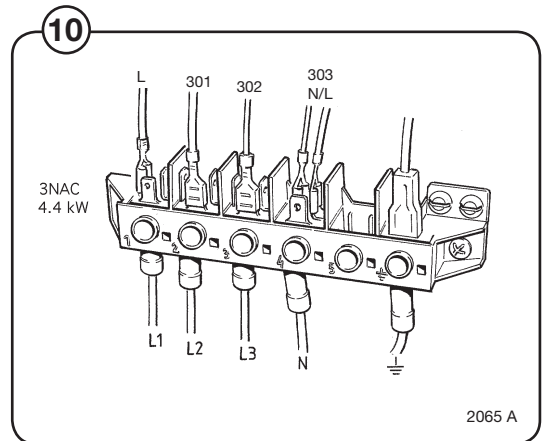



Reconnection/switchover of this type cannot be performed on machines fitted with a transformer.

- ⑩ Connection option 400 V 3NAC 4.4 kW
- ⑪ Connection option 230 V 3AC 4.4 kW
- ⑫ Connection option 230 V 1AC 4.4 kW
- ⑬ Connection option 230 V 1AC 2.2 kW

In cases where the machine data plate does not state the new voltage option, this should be added to the plate.



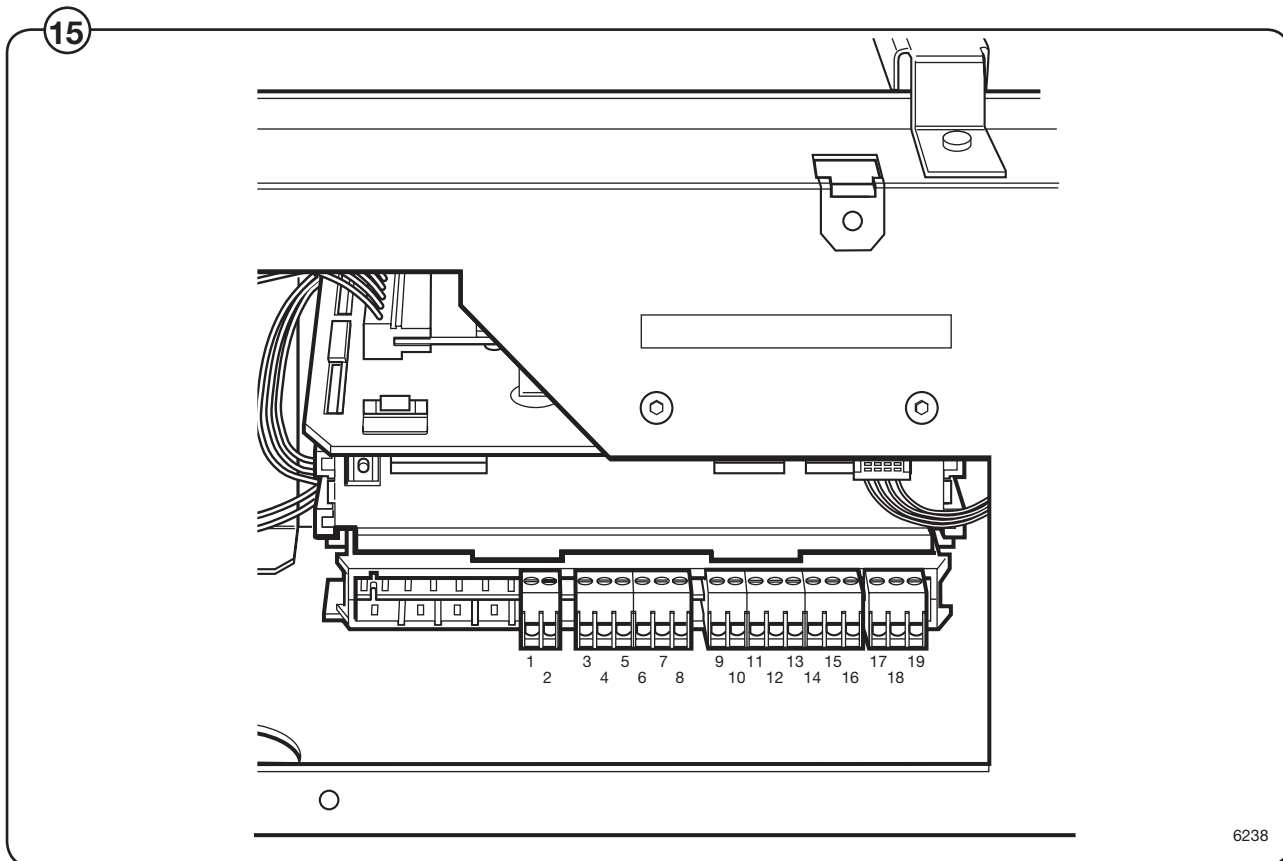
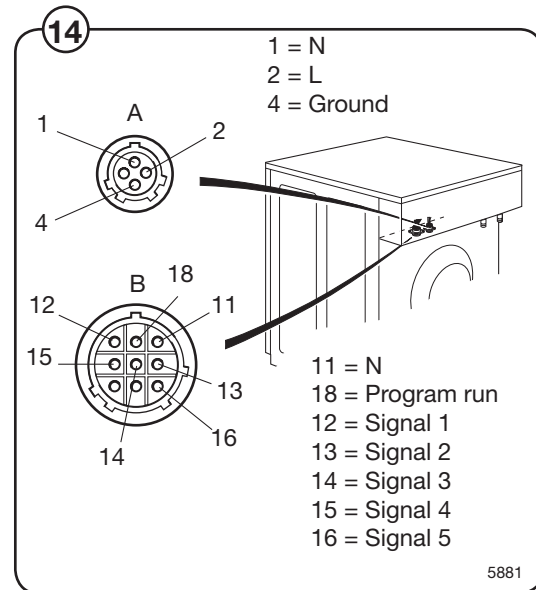
Connection of external liquid supplies

Machines fitted with connectors

- 14 • Connect the pump equipment to connections A and B on the washing machine. Connect the signal cable to B and the power supply to A.

Machines without connectors

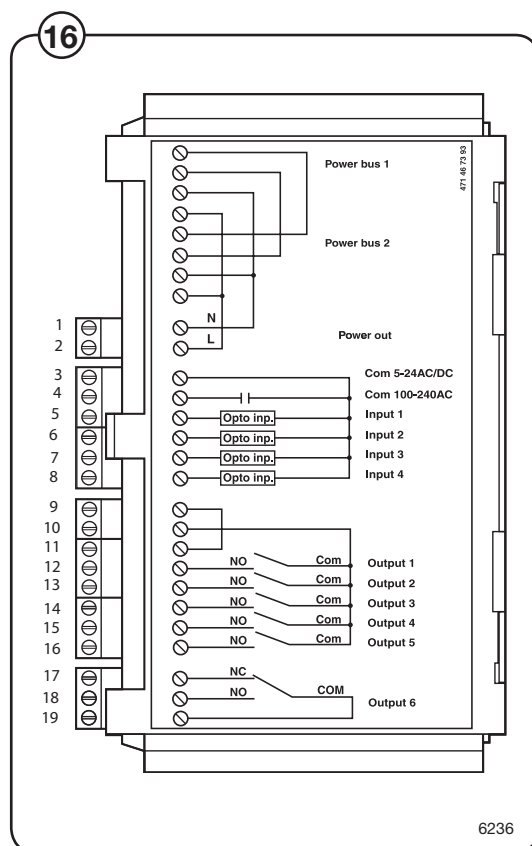
- Connect the external pump equipment for liquid washing detergent to the I/O board, which is located to the right of the incoming power supply. The I/O card has edge connectors for connecting external pumps.



- 15 • Edge connectors on the I/O board can be loosened for connecting cables.

Outputs

- 16 • Connect external power supply (e.g. 24V DC) for pumps to 9 and 10. If an internal power supply (from the washing machine) is being used, it can be taken from 1 (N) and connected to 9 and from 2 (L) and connected to 10. Max load on the outputs 0.5 A.
- Signals for pumps 1-5 are connected to 12-16 where connector
 - 12 Washing detergent signal 1
 - 13 Washing detergent signal 2
 - 14 Washing detergent signal 3
 - 15 Washing detergent signal 4
 - 16 Washing detergent signal 5

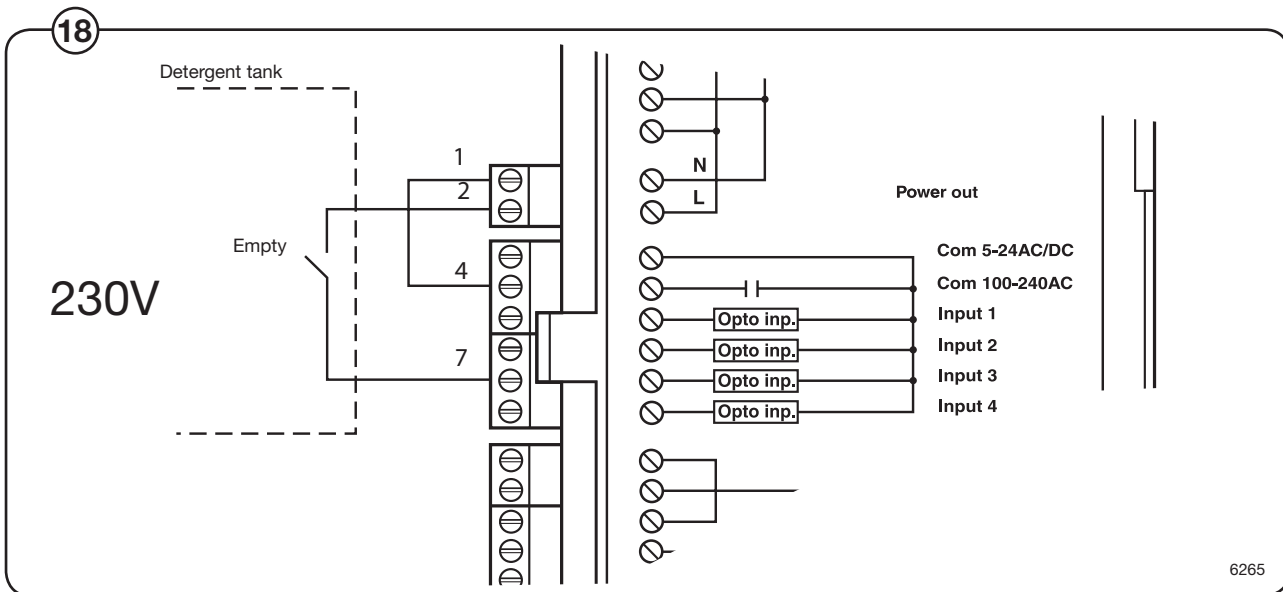
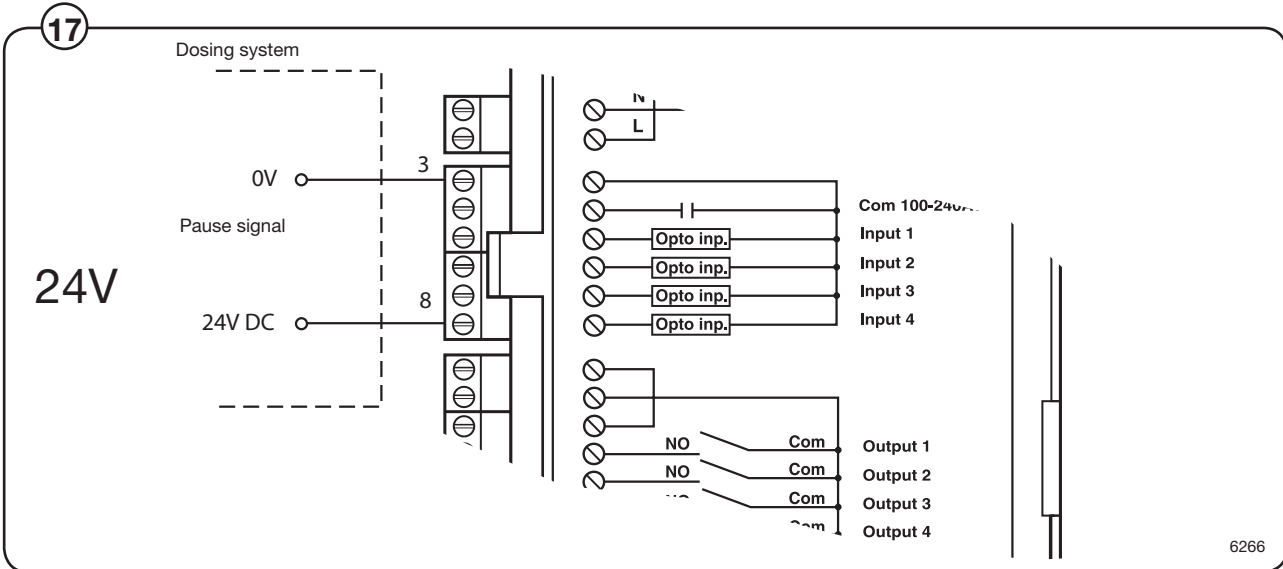


	3M14	3F01	3R01	3F02	Other programs
Signal 1	–	Prewash	Prewash	Prewash	Prewash
Signal 2	Mainwash	Mainwash	Mainwash	Mainwash	Mainwash
Signal 3	Softener	Softener	Softener	Softener	Softener
Signal 4	Mop last rinse	Desinfection	Pr 1 last rinse	Mainwash	-
Signal 5	Bleach	Bleach	Bleach	Bleach	Bleach

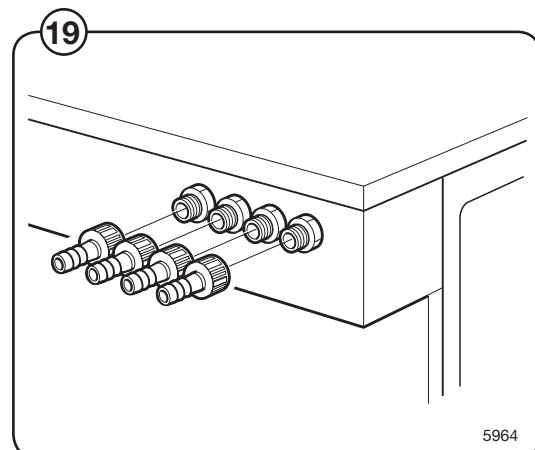
Inputs

- The signal level can be 5-24V DC/AC or 100-240V AC. For 5-24V, the signal reference is connected to 3 and for 100-240V to 4. Potentials on the inputs cannot be mixed. NB! The I/O board will be damaged if the voltage on connection 3 is too high, >24V.

- 17 • Connection 8 can be connected if the washing program is to pause, e.g. while washing detergent is being dosed.



- 18 • Connection 7. If this is connected, an error message will be displayed if any of the chemical tanks are empty. The washing program will continue, however.
- 19 • Fit the connecting unions provided and connect the hoses to the unions.



Functions for I/O -cards

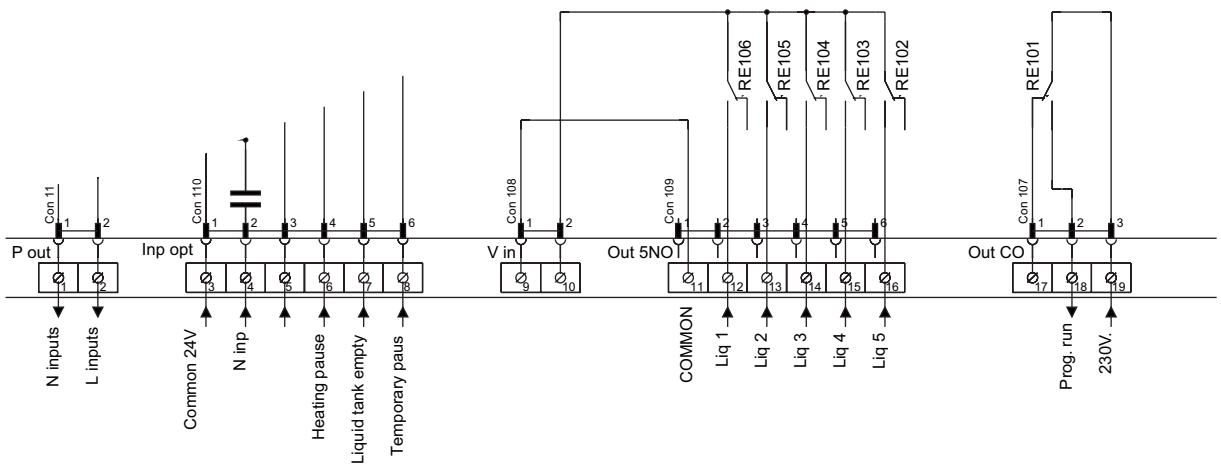
- Check the electrical schematic for the machine to find out what functions are available for the machine.

20 The electrical schematic can have one of the following: 22E, 22B, 22C or 22D.

20

22E

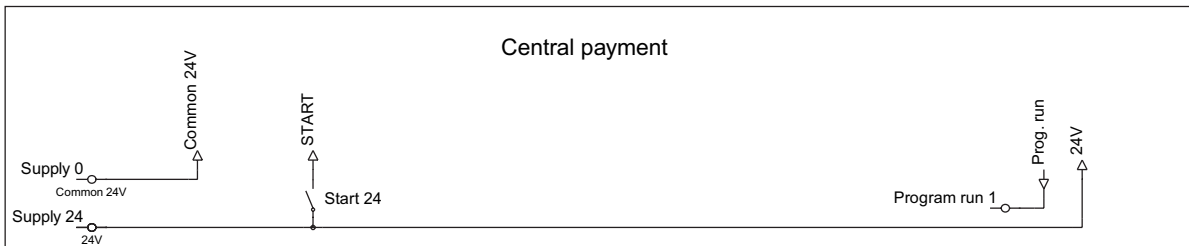
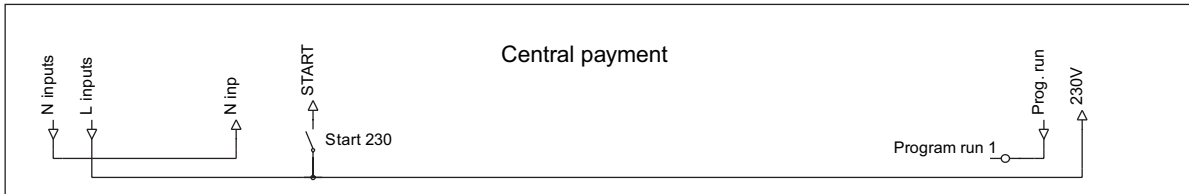
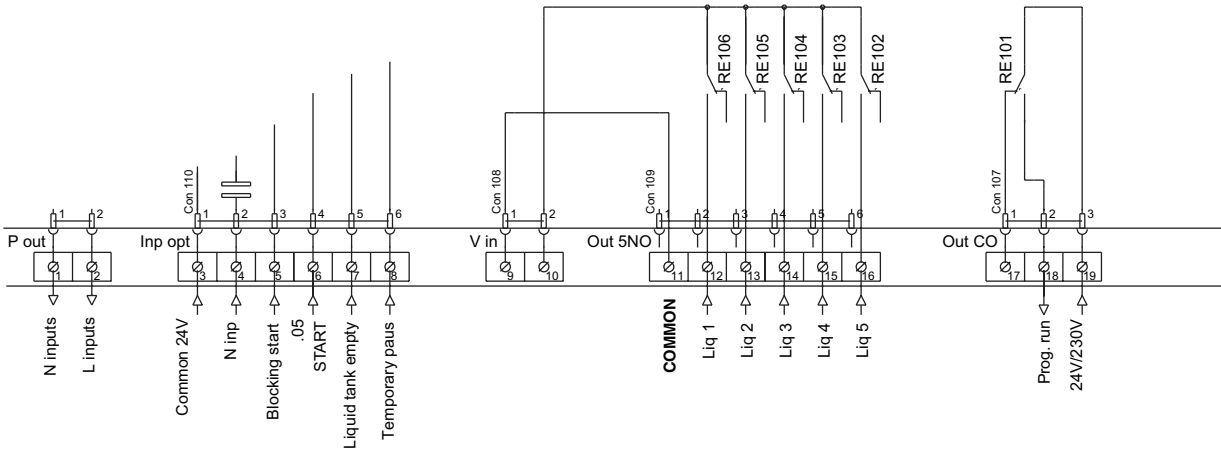
Type of I/O card	2
Address	2
Function I/O:s	E



20

22B

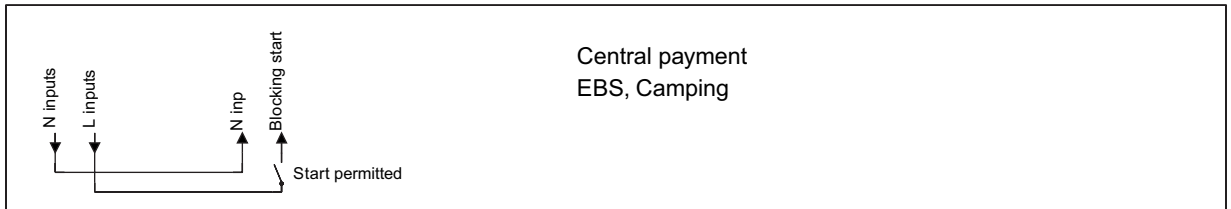
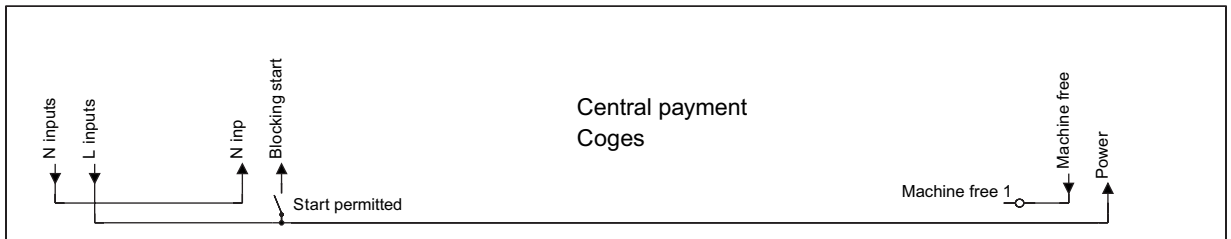
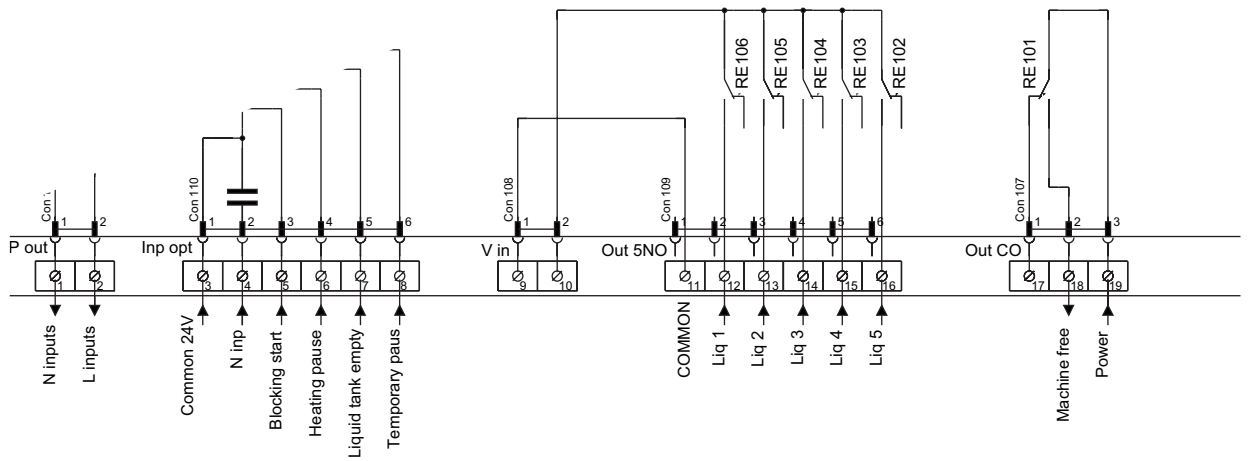
Type of I/O card	2
Address	2
Function I/O:s	B



20

22C

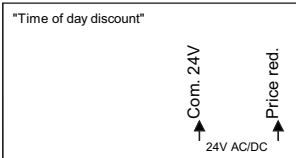
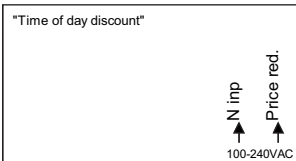
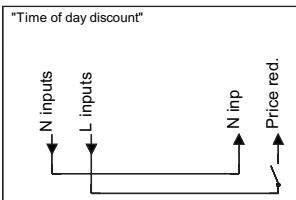
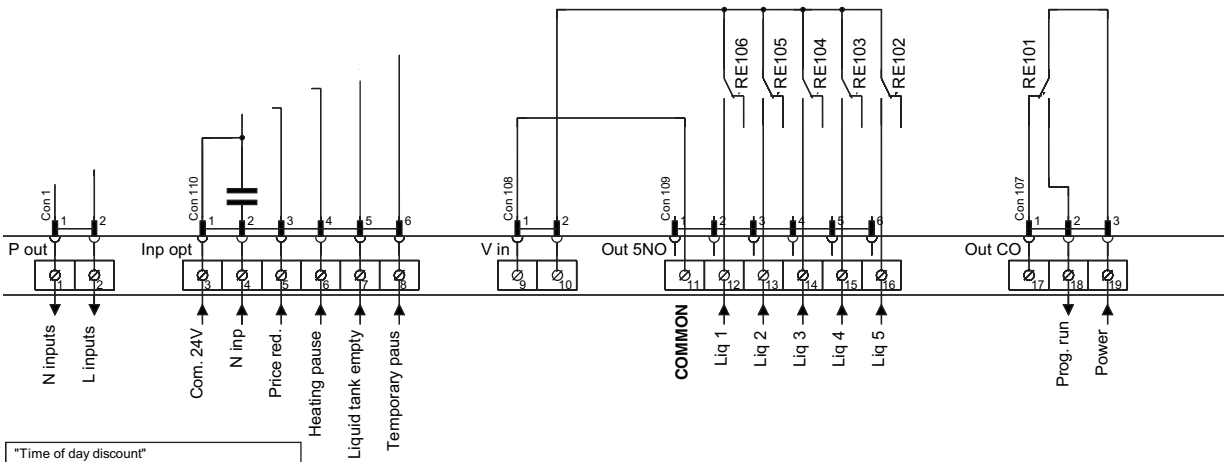
Type of I/O card	2
Address	2
Function I/O:s	C



20


22D


Type of I/O card	2
Address	2
Function I/O:s	D



Marine installation

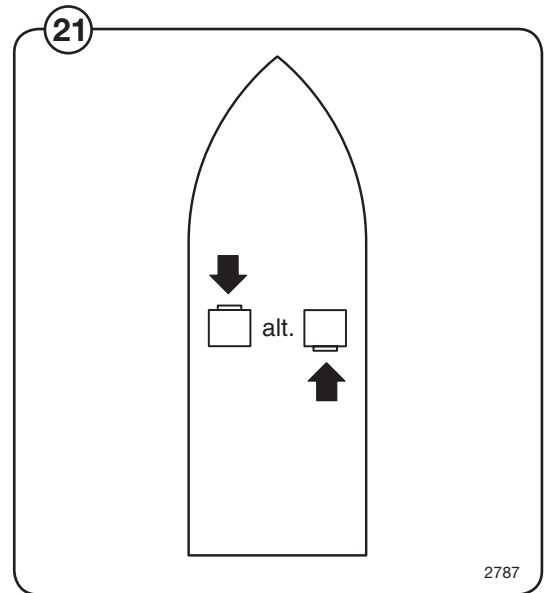
This machine can be installed in marine installation.



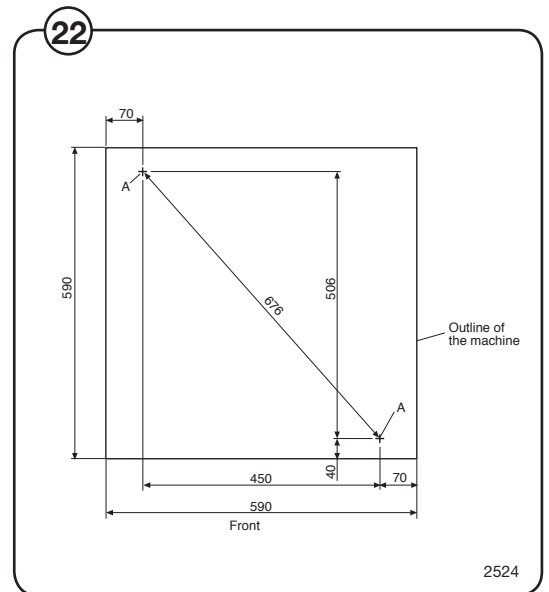


The maximum value for rolling is $\pm 15^\circ$ and for stamping $\pm 8^\circ$.

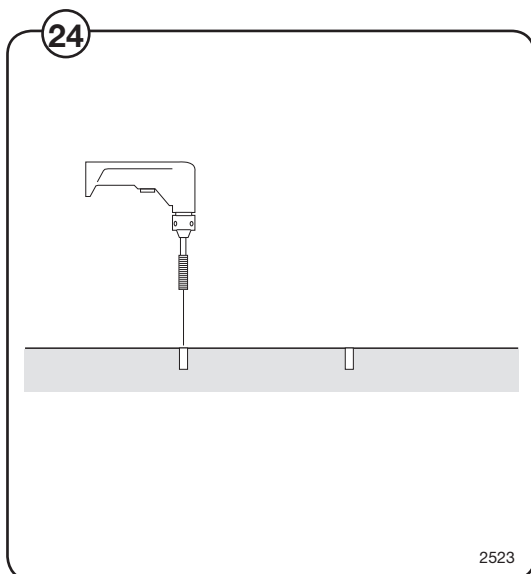
- 21 • The machine shall be placed as shown in fig.
- 22 • Mark the two holes (A) on the floor plate on the site of machine installation.
- 23 • Drill the two holes with $\varnothing 8.5$ mm.
- 24 • Thread the holes with M 10.



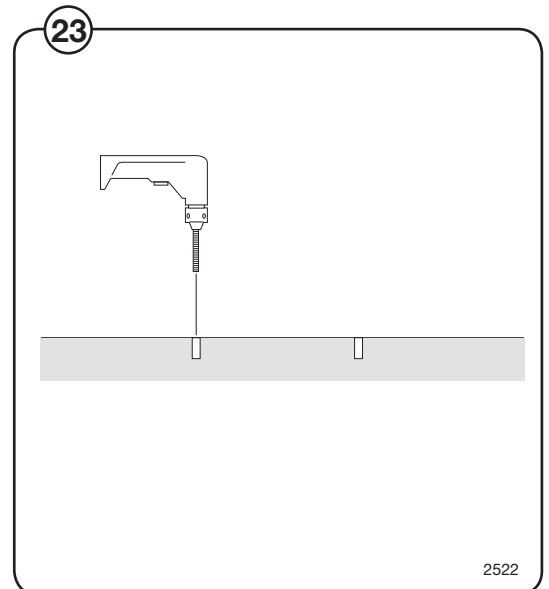
2787



2524

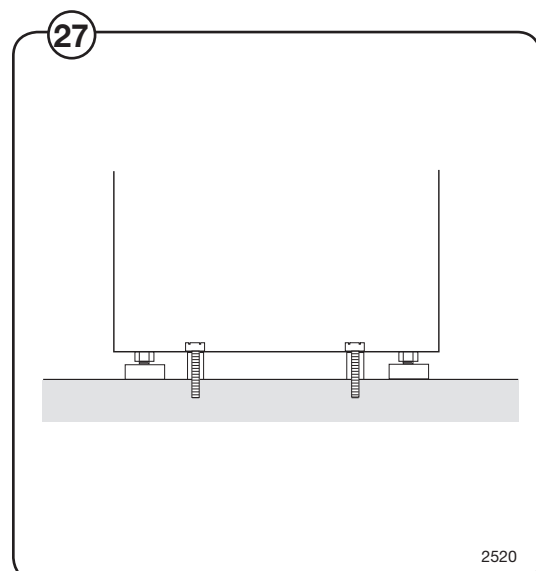
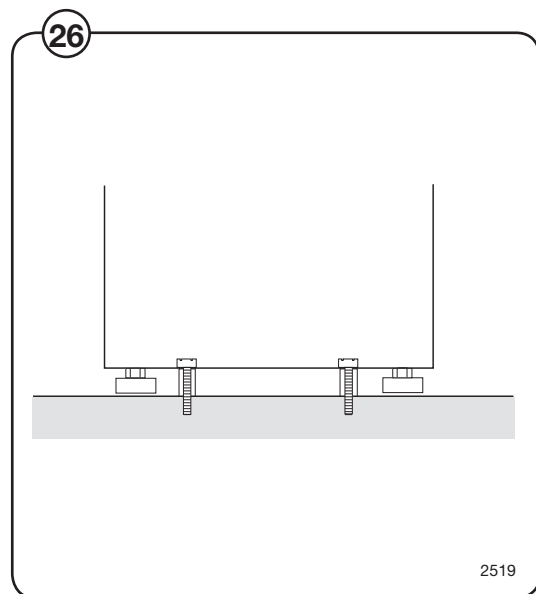
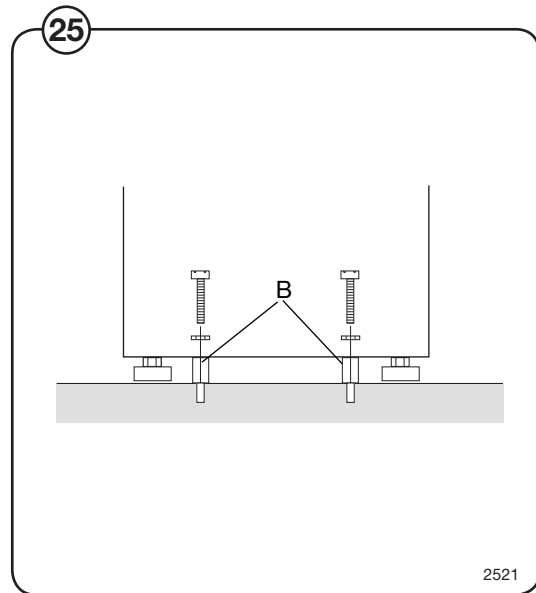


2523



2522

- 25
- Thread up the four feet of the machine as much as possible.
Place the machine at its site.
Place the spacers (B) between machine and floor.
- 26
- Tighten the machine to the floor with the two bolts.
- 27
- Adjust the feet of the machine to the floor and lock them with the nuts.



Function checks

Perform the following checks once the machine is installed:

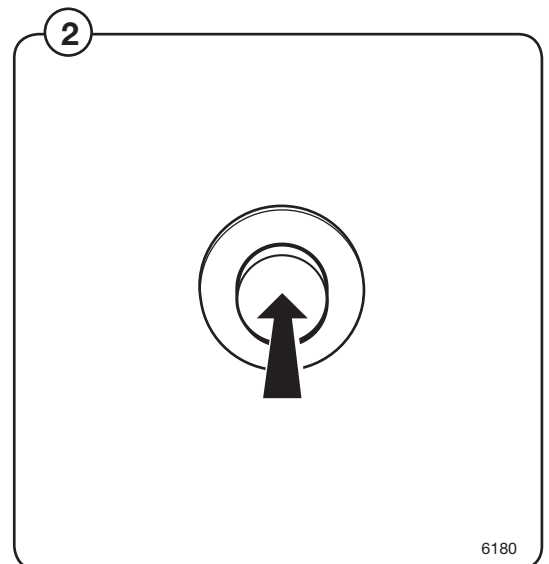
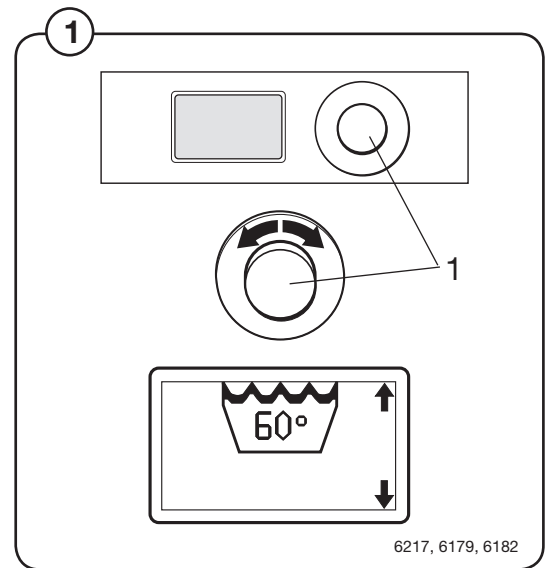
- Open the manual water valves.
- Turn on the power to the machine.
- Put detergent into compartment 2 (Main wash).

① • Select a 60° program with the control knob (1).

② • Press the knob.

Check:

- that the drum rotates normally and that there are no unusual noises.
- that there are no leaks in water supply/drain connections.
- that water passes through the detergent compartment and fabric conditioner compartment.
- that the door cannot be opened during a program.





www.electrolux.com/professional

Share more of our thinking at www.electrolux.com