

Water re-use system

Washer extractors with Clarus Control

Features and benefits

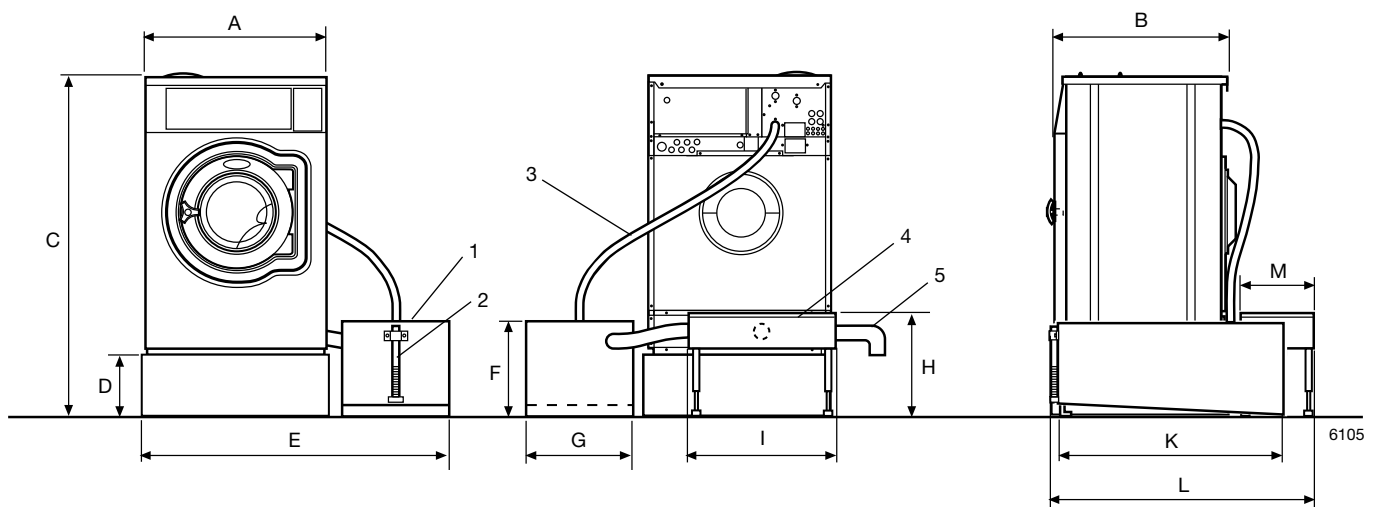
- Water savings can be obtained by re-using of water from the last rinse(s) to the next wash program
- The tank can also be used for other types of liquids, which should be re-used in the wash process
- The washer extractor shall be equipped with the Clarus Control microprocessor and one extra inlet for re-use liquid
- There are two different tank sizes available; 140 or 200 litres. For details, please see table on page 2
- It is possible to install the drain box only if customer provide the tank



The re-use system includes; stainless steel drain valve box with two drain valves, stainless steel tank with fluff filter, pump 220V/1 and hoses

Electrical connections	Models with Clarus Control	
Re-use system		
988 8038-25 (140 l)	50 Hz	W4130
988 8038-26 (140 l)	60 Hz	W4130
988 8038-18 (200 l)	50 Hz	W4180, W4240, W4250
988 8038-19 (200 l)	60 Hz	W4180, W4240, W4250
Drain valve box only		
988 8038-23	50 Hz	
988 8038-24	60 Hz	
1 Tank 140 or 200 litres 2 Inspection glass 3 Hose from pump for re-use of liquid 4 Drain valve box 5 Drain outlet \varnothing 75		

	A	B	C	D	E	F	G	H	I	K	L	M
W4130	720	790	1410	210	1210	380	450	435/455	625	960	1130	290
W4180	750	880	1555	230	1460	380	670	435/455	625	960	1220	290
W4240	1020	915	1445	230	1690	380	670	435/455	625	960	1255	290
W4250	830	955	1640	230	1540	380	670	435/455	625	960	1295	290



NOTE

The machine has to be equipped with 2 I/O-boards.