

# Fresh air intake

**T4190, T4250, T4300S, T4350, T4290, T4530, T4650,  
 T4900 and T41200**

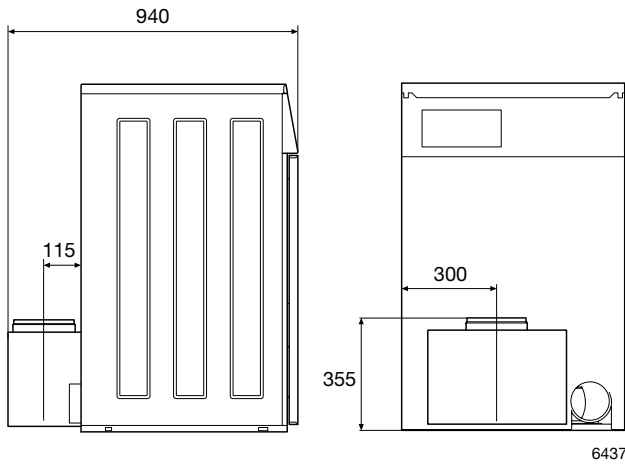
## Features and benefits

- Connecting the tumble dryer with direct air intake
- No draught in the laundry
- Better working environment in the laundry
- Optimum air conditions for the tumble dryer means:  
 Low energy consumption  
 Shorter drying time

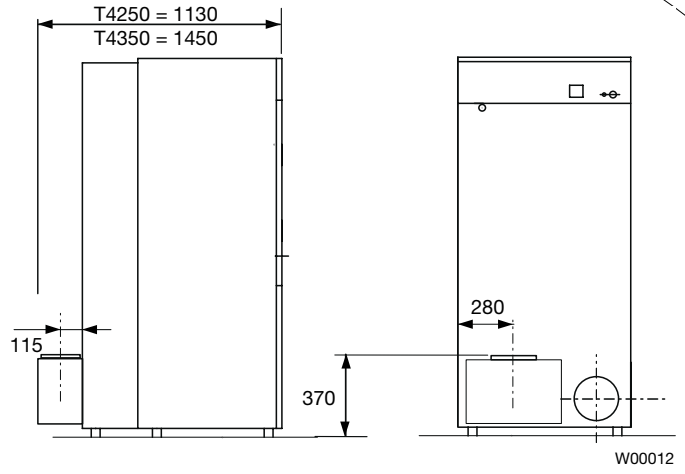


Tumble dryer	Fresh air intake, kit number	Air intake
T4190	988 80 20 37 (gas and electric)	ø 200
T4250	988 80 04 42 (gas and electric)	ø 200
T4300S	988 80 20 50 (gas and electric)	ø 315
T4350	988 80 04 42 (gas and electric)	ø 200
T4290	988 80 20 41 (gas and electric)	ø 315
T4530	988 80 20 42 (gas and electric)	ø 400
T4650	988 80 20 42 (gas and electric)	ø 400
T4900	988 80 00 04 (gas and electric) 988 80 00 03 (steam)	ø 315
T41200	988 80 00 04 (gas and electric) 988 80 00 03 (steam)	ø 315

T4190



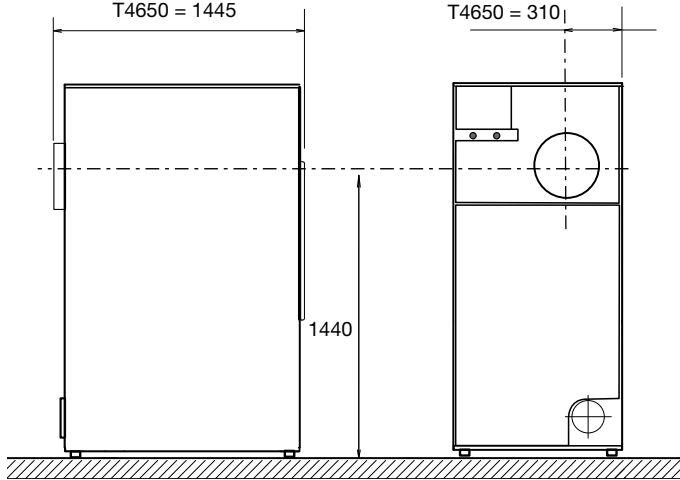
6437



W00012

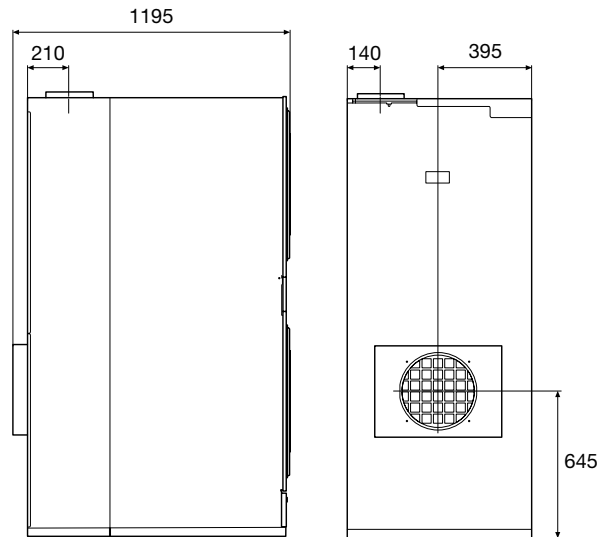
T4290 = 1195  
 T4530 = 1255  
 T4650 = 1445

T4290 = 240  
 T4530 = 310  
 T4650 = 310



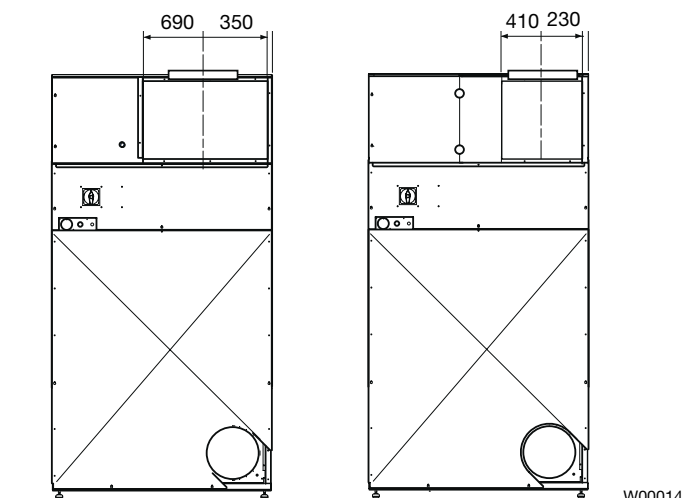
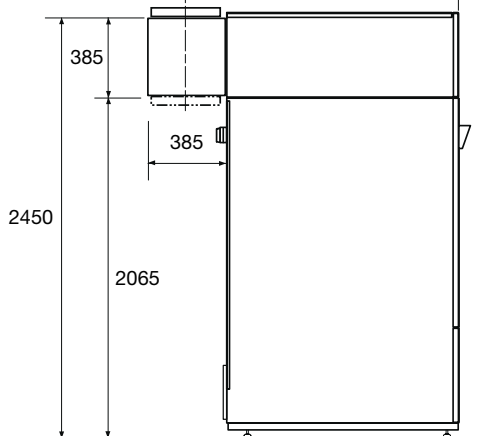
W00013

T4300S



6436

T4900 = 1355  
 T41200 = 1545



Gas, EI

Steam

W00014