

Installation manual
T4190
Compass Control

487 05 42 61.00
EN



Safety instructions



This machine is only intended for drying water-washed garments.

Clothes that have been cleaned with chemicals/inflammable liquids, must NOT be dried in the machine.

Remove clothes from the tumble dryer as soon as they are dry. This prevents them from becoming creased, and reduces the risk of spontaneous ignition.

The machine must not be used for drying foam rubber or foam-like materials.

The machine must not be used for drying floor mops*.

The machine must not be used by minors.

The machine must not be hosed down with water.

Mechanical, electrical and gas installations must only be carried out by authorised personnel.

If the machine has a fault, this must be reported as soon as possible to the person in charge. This is important for your own safety and for the safety of others.

Gas dryers only:

The machine is not to be installed in rooms containing cleaning machines with perchloroethylene, TRICHLOROETHYLENE or CHLOROFLUOROCONTAINING HYDROCARBONS as cleaning agents.

What to do if you smell gas:

Do not try to light any appliance.

Do not touch any electrical switch; do not use any phone in your building.

Evacuate the room, building or area.

Contact the laundry manager.

*Applies only to floor mops containing polypropylene.

The dryer must not be installed behind a lockable door or sliding door. In the room where the dryer is to be installed the door hinges must be on the outer side.

Contents

Safety instructions.....	3
Technical data	6
Unpacking	8
Ship installation	9
Door reversal.....	10
Installation	11
Function check	21

The manufacturer reserves the right to modify design and material specifications without notice.

Technical data

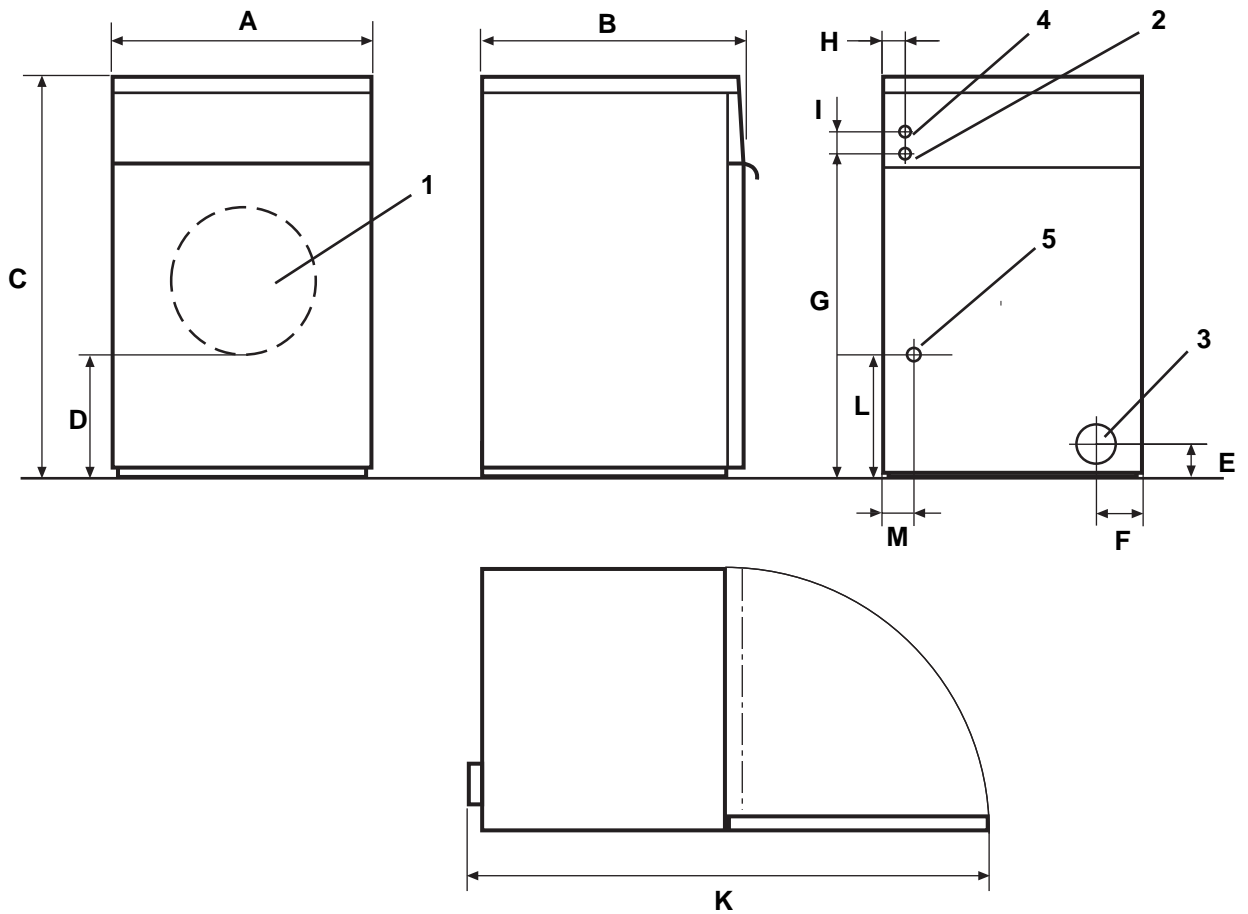
Technical data

Heating		Electric	Gas
Drum volume:		190 litres	190 litres
Weight:	Net	103 kg	103 kg
Drum:	Diameter	680 mm	680 mm
	Depth	555 mm	555 mm
	RPM	50 rpm	50 rpm
	G-factor	0.8	0.8
Capacity:	Factor 1:25	7.5 kg	7.5 kg
	Factor 1:33	5.8 kg	5.8 kg
Heat effect:	Electric	6.0 kW	6.0 kW
		8.0 kW	8.0 kW
Air consumption:	Heat effect	6.0 kW	270 m ³ /h
		8.0 kW	290 m ³ /h
Piping:	Evacuation	Ø 125	Ø 125
Gas piping			ISO 7/1 - R1/2
Pressure drop:	Evacuation	6.0 kW	380 Pa
		8.0 kW	350 Pa
Sound power level:	LW	< 68 dB (A)	< 68 dB (A)

Dimension sketch

- 1 Door opening
- 2 El. connection
- 3 Pipe connection, evacuation
- 4 Connection for external control
- 5 Gas connection

	A	B	C	D	E	F	G	H	I	K
mm	720	745	1130	420	110	120	960	45	55	1445
	L	M								
mm	575	80								



Unpacking

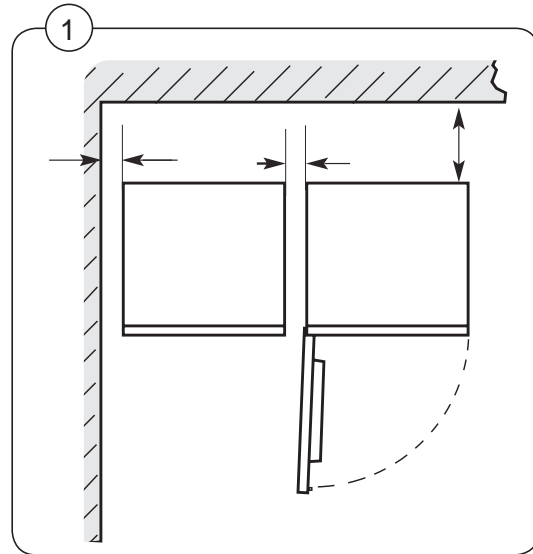
Unpack the dryer from the packaging.

Loosen the dryer from the pallet by cutting the plastic ribbons.

Positioning

Fig 1 Place the tumble dryer to ensure that work can be done as easily as possible by the user and the service technician alike. The door hanging can be changed.

The distance to the wall or other equipment behind the dryer should be min. 300 mm and the distance to the sides min. 10 mm. However, there should be free access to the back of the dryer for the purpose of servicing it.



Mechanical installation

Fig 2 Adjust the dryer to ensure that it is horizontal and stands firmly on all four feet.

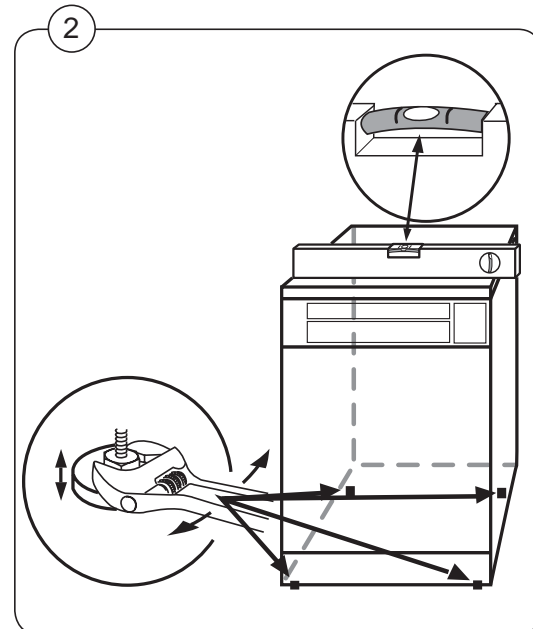
The maximum height adjustment of the feet is 50 mm.

When the adjustment has been made, lock the feet by means of the lock-nuts.

Normally, the dryer requires no bolting to the floor or foundation.

However, tumblers on a base do require anchoring.

The fittings are fastened to the foundation using M10 expansion bolts or other devices of the same dimension. Special fittings are available from the supplier for this purpose.



Ship installation

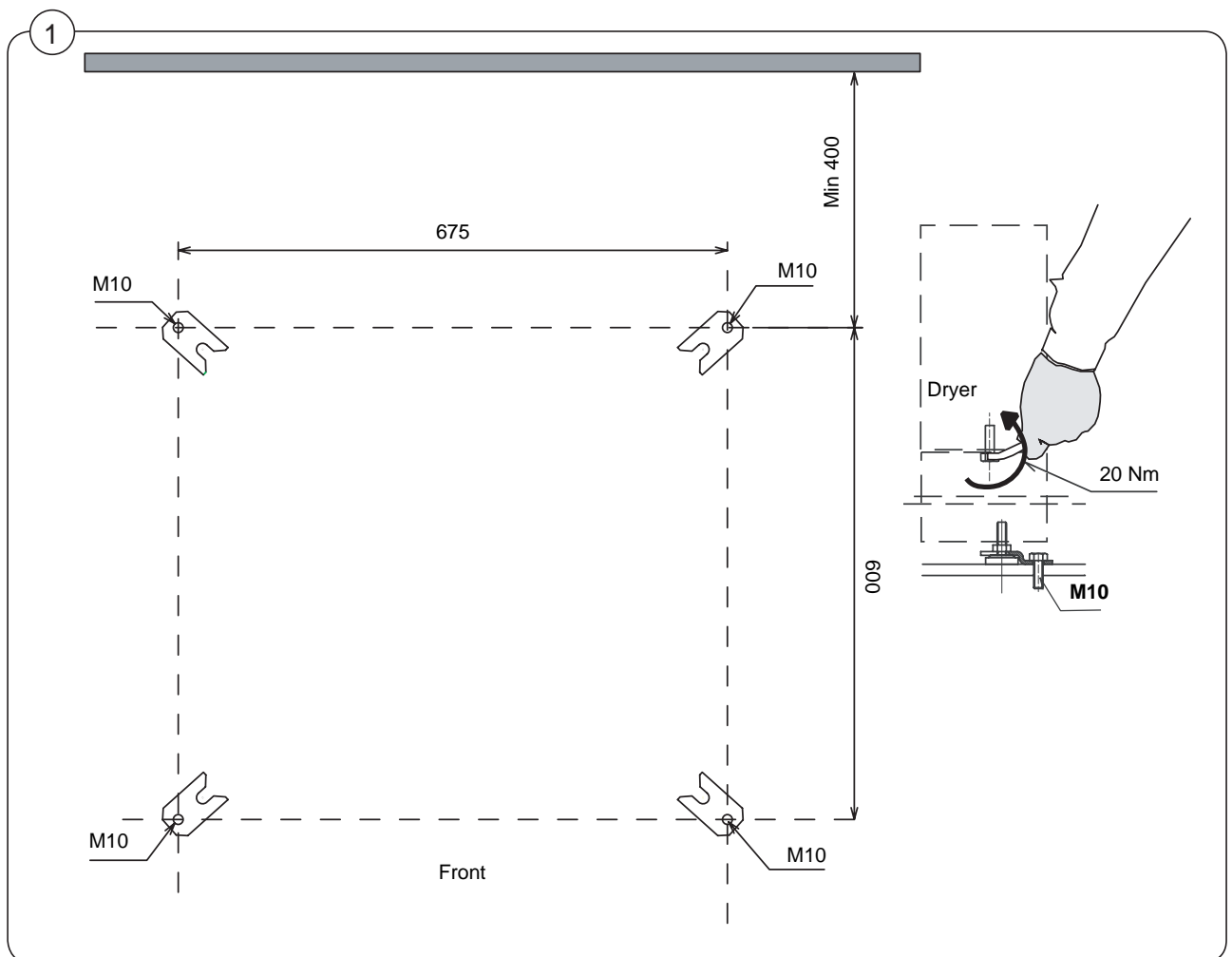
To ensure the steadiness of the dryer it is important to fasten it to the delivered base.

Fig 1 Fasten the 4 fittings (supplied with the dryer) to the foundation using 4 x M10 set screws or other devices of the same dimension (not supplied).

The 4 feet from the dryer are mounted on the base and the feet are fastened to the fittings.

The dryer is fastened to the base using 4 x M10 bolts (supplied with the base) and is tightened with 20 Nm.

Drilling template



Door reversal

The door reversal illustrated below is on a lefthinged door.

Reversing the door

- Disconnect the power to the dryer.

On the dryer

Fig
1

- Demount T-fitting A and screw the screws back into the same holes (in order to secure the plate on the back).
- Disengage the door by carefully lifting it away from the front. (Make sure to get a good grip on the door - it is heavy).
- Demount the front panel.

Fig
1

- Demount T-fitting A and B and mount on the opposite side.

Fig
2

- Loosen cable hanger with cable and mount on the opposite side. Strap the cable.

Fig
3

- Move door switch to the opposite side.
- Mount T-fitting A at the bottom of the right side.

On the door

Fig
4

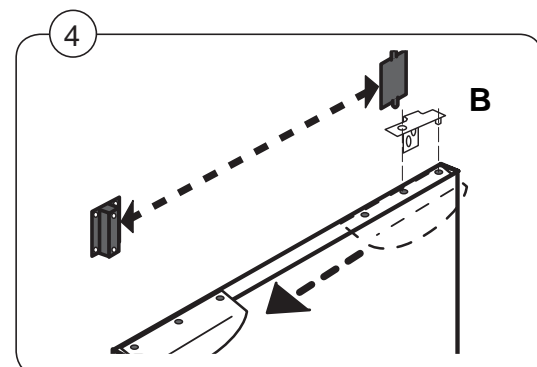
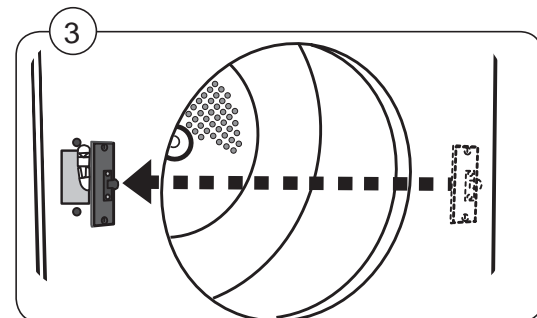
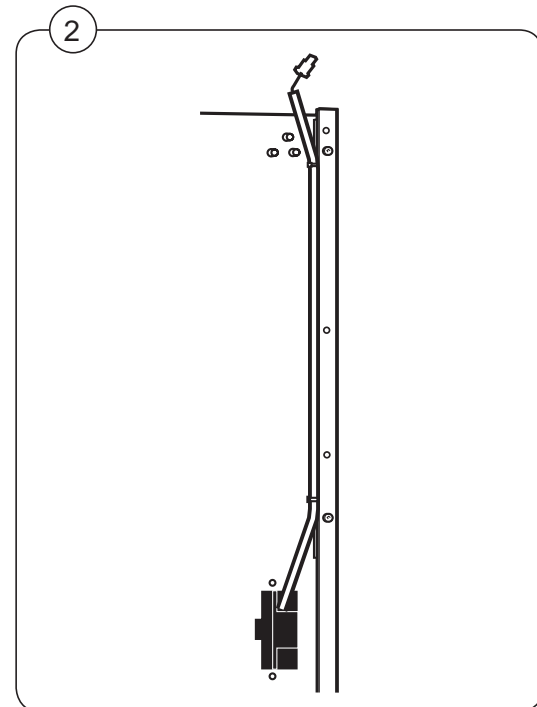
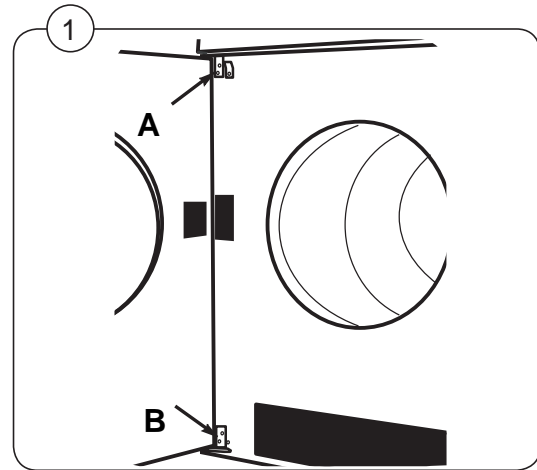
- Move door handle to the opposite side, screw screws into holes.
- Mount T-fitting B at the top of the right side.
- Move ball lock in the door to the opposite side without turning the lock, move cover plate.

On the dryer

- Adjust the ball lock if required. Adjust the door height using the T-pieces.

Start the dryer

- Reconnect the power to the dryer.
- Check that the door switch is working: The drum must stop when the door is opened.



Evacuation system

Fresh-air

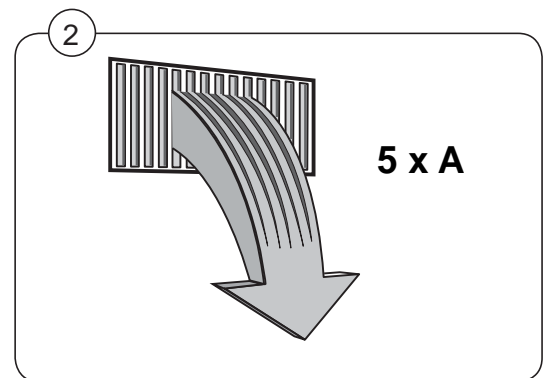
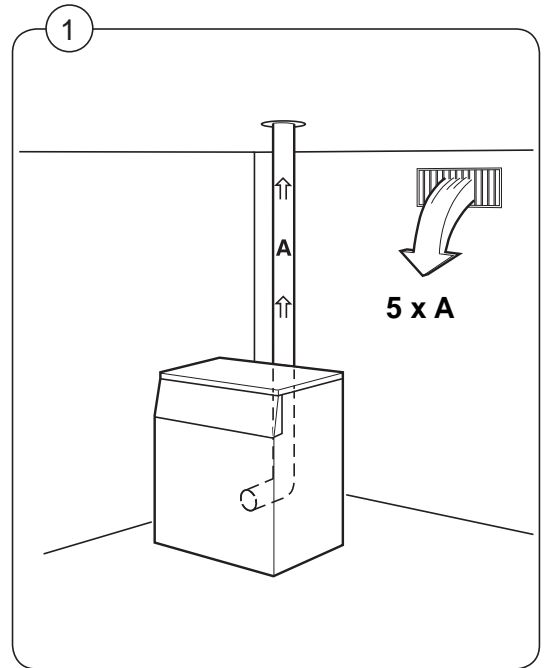
For maximum efficiency and the shortest possible drying time, it is important to ensure that fresh air is able to enter the room from the outside in the same volume as that blown out of the room.

Fig 1 To avoid a draught in the room, it is advisable to place the air inlet behind the dryer. The area* of the air inlet opening must be 5 times the size of the vent pipe area. The resistance in the grating/slats on the airinlet cover plate should not exceed 10 Pa (0.1 mbar).

The air consumption is 400 m³/h.

Fig 2 *The area of the inlet opening is the area through which the air can flow without resistance from grating/slatted cover.

Note that gratings/slatted covers often block half of the total fresh air vent area. Remember to take this into account.



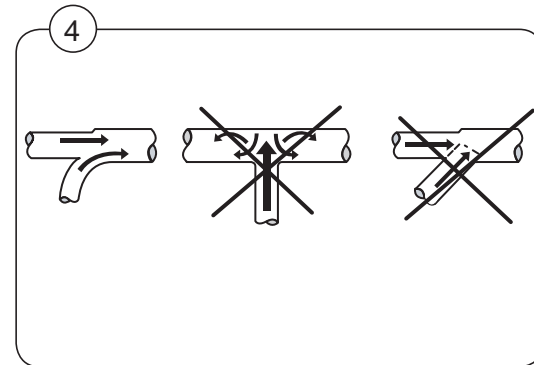
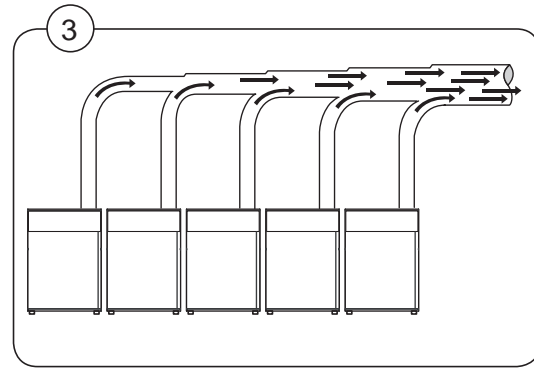
Exhaust duct

It is recommended that each dryer be connected separately to a smooth air outlet pipe with the lowest possible friction.

Fig 3 If more than one dryer is connected to the same outlet pipe, the pipe diameter must be increased after each dryer, just as all dryers must be equipped with a back draft damper to prevent humid air from running back into dryers that are not in operation.

The pipe must end outside in the open. The outlet must be protected against rain, foreign objects and prevailing winds.

Note! In cold areas, condensation may cause frost damage to the building.



Gentle bends

Fig 4 To keep the air flowing, ensure proper dryer operation, and minimise lint buildup in the exhaust system, never connect ducts at right angles, always use gentle bends.

Service organisation/dealer

If you have questions relating to the design of the exhaust system, please contact your local dealer or service organisation.

No. of dryers	Outlet m ³ /h	d mm	Fresh-air intake cm ²	Pipe length 0-70 m d
1	290	Ø125	400	Ø125
2	440	Ø125	800	Ø160
3	660	Ø125	1200	Ø200
4	880	Ø125	1600	Ø250

Gas installation



To be carried out by qualified personnel



Mount a manual shutt-off valve prior to the dryer.

The gas pipe to the dryer must be dimensioned to an output of 6.6 kW / 8 kW.

From factory the nozzle pressure setting corresponds to the heating value printed on the data label on the back of the dryer.

Check that the nozzle pressure and heating value are according to the values given in the table. If not, contact the supplier.

Bleed the pipe system before connecting the dryer.

After connection, test all joints for leaks.

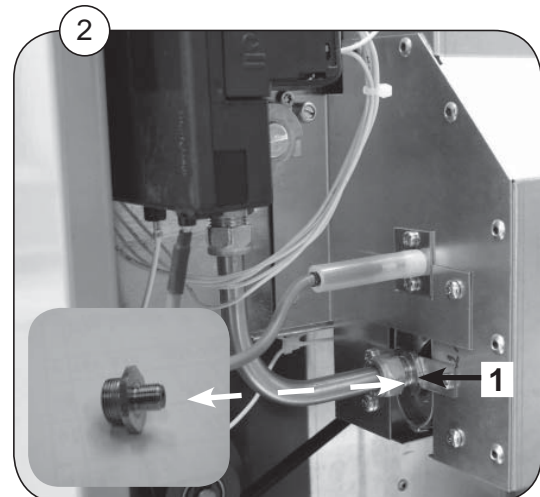
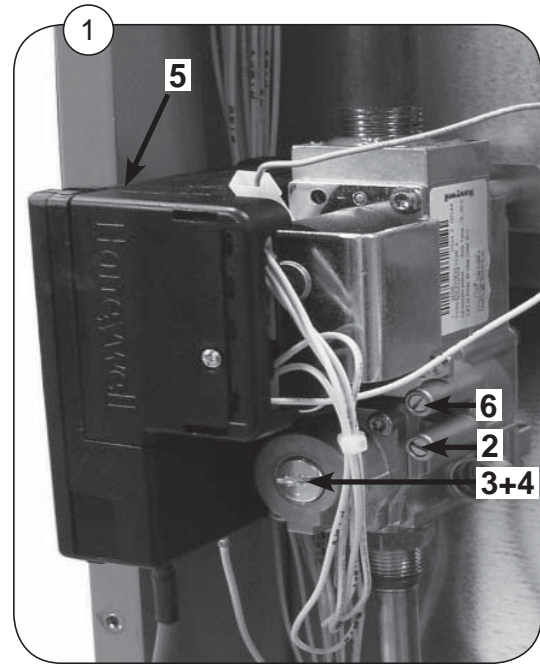
Gas valve

To adjust the pressure unscrew the 6 screws on the cover plate at the back of the dryer.

1. Nozzle
2. Measuring branch, nozzle pressure
3. Nipple
4. Adjusting screw
5. Control Box, gas valve
6. Measuring branch, supply pressure

Test run

1. Loosen the measuring branch screw (2) anti-clockwise a 1/4 of a turn.
2. Connect a manometer to measuring branch (2).
3. Select a programme that uses heat.
4. Start the dryer.
5. Check the nozzle pressure, see tables on the following pages.
6. If necessary adjust adjusting screw (4) found behind nipple (3).
7. After testing, prepare the dryer for use.

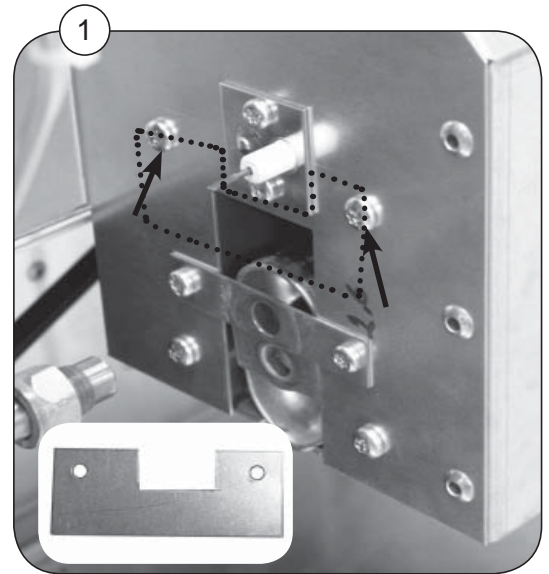


Converting to another type of gas

If the dryer is to be converted to another type of gas, the gas nozzle and the air reducing plate must be replaced, see tables on the following pages.

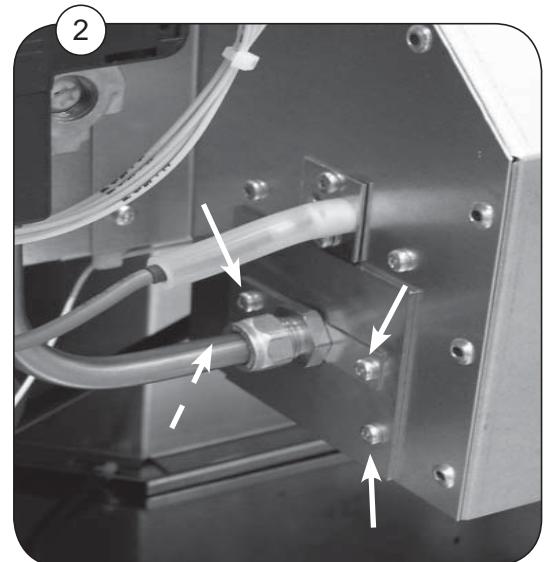
LPG

If the dryer is to be converted to LPG, use the air reducing plate and the matching nozzle. To change the reducing plate follow step 3-7 in the chapter "Changing the nozzle". Subsequently mount the plate in the 2 holes and then follow step 8-9, see fig. 1.



Town gas 6 kW

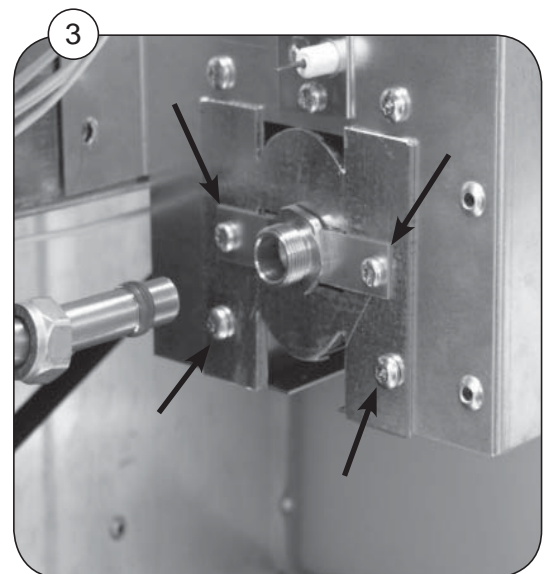
If the dryer is to be converted to town gas 6 kW, use the air reducing plate and the matching nozzle. To change the reducing plate follow step 3-7 in the chapter "Changing the nozzle". Subsequently mount the plate in the 4 holes and then follow step 8-9, see fig. 2.



Town gas 8 kW

If the dryer is to be converted to town gas 8 kW, use the air reducing plate and the matching nozzle. To change the reducing plate follow step 3-7 in the chapter "Changing the nozzle". Subsequently mount the plate in the 4 holes and then follow step 8-9, see fig. 3.

Note! The burner bracket must be mounted, see fig. 1.



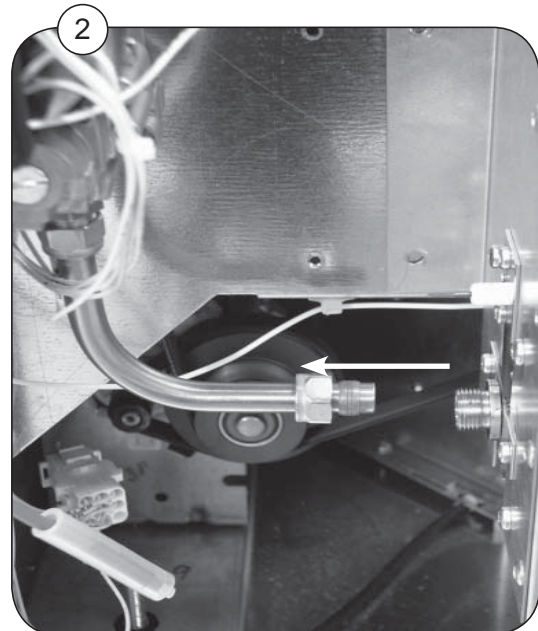
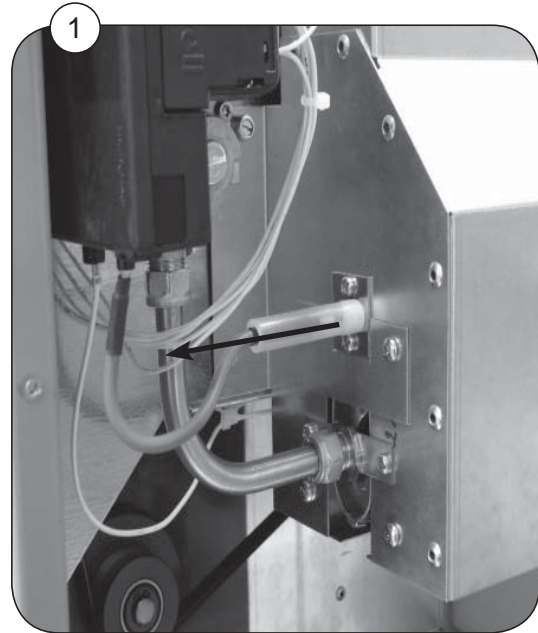
Natural gas

If the dryer is to be converted to natural gas, remove all air reducing plates.

Note! The burner bracket must be mounted, see fig. 1.

Changing the nozzle

1. Shut off the manual gas valve.
2. Disconnect the electrical power supply.
3. Unscrew the back plate.
4. Dismount the electrode wire on the left side of the heating box, fig 1.
5. Dismount the compression nut and the compression ring. Pull the coupling from the nozzle, fig 2.
6. Unscrew the 8 screws of the heating box.
7. Lift the cover upwards and pull it to the right - still sitting on the edge.
8. Dismount the nozzle and replace it with the right dimension, see tables on the following pages.
9. Assemble in the opposite order as described above.



Gas installation

Tables of pressure and adjustments

T4190 heat effect: 6 kW

	Gas type	Connection Pressure	Nozzle Pressure	Nozzle	Air reducing plates
Denmark Norway Sweden Finland	LPG	30	30	3	A
	GNH	20	8.2	2.35	
Italy England Spain Portugal Ireland Greece	LPG	28/37	28/37	1.3	A
	GNH	20	8.2	2.35	
France Belgium	LPG	28/37	28/37	1.3	A
	GNH	20/25	20/25	1.95	
	GNL	20/25	20/25	1.95	
Germany	LPG	50	30	1.3	A
	GNH	20	8.2	2.35	
	GNL	20	12.1	2.35	
Holland	LPG	30	30	1.3	A
	GNL	25	12.1	2.35	
Austria	LPG	50	30	1.3	A
	GNH	20	8.2	2.35	
Japan	LPG	28	28	1.3	A
Denmark Sweden Italy	Town gas Group a	8	4.5	3.95	B
	Town gas Group b	8	3.5	3.95	B

Note!

Because of the differences in gas installation regulations in European Union it is important to use the Italian-language manual in Italy and the French-language manual in France ect.

Gas installation

Tables of pressure and adjustments

T4190 heat effect: 8 kW

	Gas type	Connection Pressure	Nozzle Pressure	Nozzle	Air reducing plates
Denmark Norway Sweden Finland	LPG	30	30	1.45	A
	GNH	20	9	2.65	
Italy England Spain Portugal Ireland Greece	LPG	28/37	28/37	1.45	A
	GNH	20	9	2.65	
France Belgium	LPG	28/37	28/37	1.45	A
	GNH	20/25	20/25	2.2	
	GNL	20/25	20/25	2.2	
Germany	LPG	50	30	1.45	A
	GNH	20	9	2.65	
	GNL	20	13.4	2.65	
Holland	LPG	30	28.8	1.25	A
	GNL	25	13.4	2.65	
Austria	LPG	50	30	1.25	A
	GNH	20	9	2.65	
Japan	LPG	28	28	1.45	A
Denmark Sweden Italy	Town gas Group a	8	4.5	4.45	C
	Town gas Group b	8	3.5	4.45	C

Note!

Because of the differences in gas installation regulations in European Union it is important to use the Italian-language manual in Italy and the French-language manual in France ect.

Electric installation



Electrical installation must be carried out by an authorized personnel!



It is important to know that the machines are designed to provide a high level of personal safety, which is why items of external equipment such as earth leakage circuit breakers are not necessary. If you still want to connect your machine across an earth leakage circuit breaker, please remember the following:



- **For maximum reliability, connect only one machine per earth leakage circuit breaker.**
- **It is important that the earth wire is properly connected, including to earth leakage circuit breaker.**

- Mount a multi-pole switch prior to the machine to facilitate installation and service operation.
- The connecting cable should hang in a gentle curve.
- Check that the earth has been connected in correct way.

Fuse ratings are given in the tables below.

For the rating of the supply cable, check the local regulations.

Cable dimensioning table, electric heating

Heating type	Voltage type	Total rating kW	Fuse A
El. 6.0 kW	400-415V 3N AC	6.3	10
El. 6.0 kW	230-240V 1 AC	6.3	35
El. 6.0 kW	400-440V 3 AC	6.3	10
El. 6.0 kW	200-240V 3 AC	6.3	20
El. 8.0 kW	400-415V 3N AC	8.3	16
El. 8.0 kW	400-440V 3 AC	8.3	16
El. 8.0 kW	230-240V 3 AC	8.3	25

Cable dimensioning table, gas heating

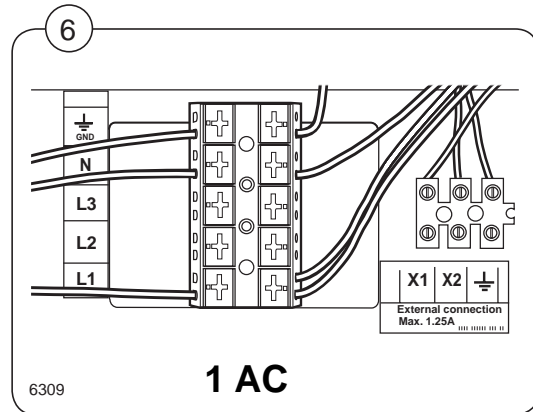
Heating type	Voltage type	Total rating kW	Fuse A
Gas	400-415V 3N AC	0.25	10
Gas	400-480V 3 AC	0.25	10
Gas	200-240V 3 AC	0.25	10
Gas	230-240V 1 AC	0.25	10

Single-phase connection

Fig 6 Connect Earth wire to GND terminal, Live to terminal L1 and Neutral to terminal N as shown in the example in the figure.

When the installation is completed, check:

- That the drum is empty.
- Turn on the main switch and choose a drying program. Start the machine.

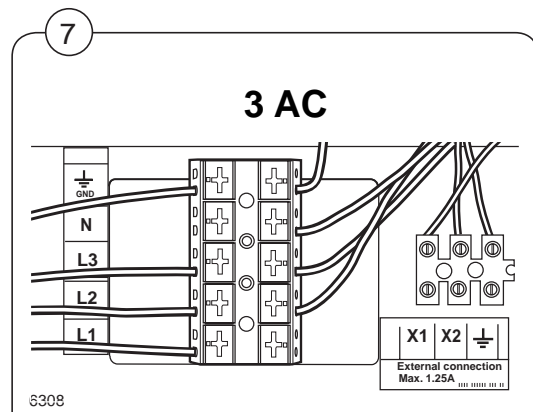


Three phase connection

Fig 7 Connect Earth wire to GND terminal, Live to terminal L1, L2, L3 and Neutral to terminal N (3N AC only) as shown in example "3 AC" and "3N AC" in the figure.

When the installation is completed, check:

- That the drum is empty.
- Turn on the main switch and choose a drying program. Start the machine.



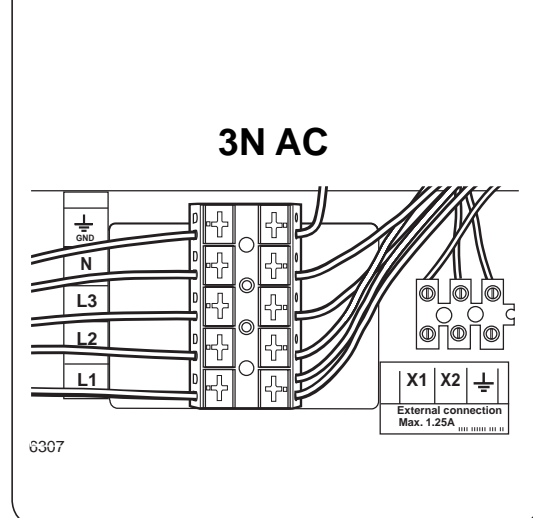
External connection (3NAC)

Fig 8 A special connection terminal is located at the mains connection.

The connection terminal is used for:

Connection/control of external fan or a condenser.

Max. connected load is 1.25A.



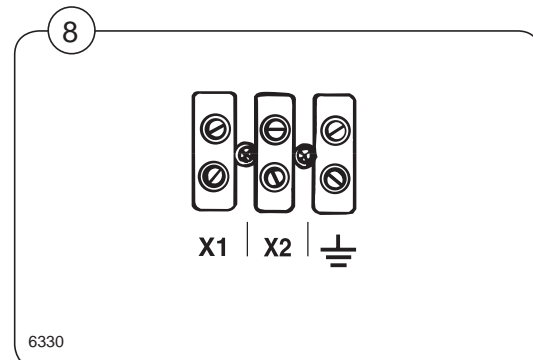
Marine version (3AC)

External connection

A special connection terminal is located on the tumbler motor bracket.

The terminal for external control is equipped with 110V/max. 100mA and is intended solely for the operation of a contactor (external control of a fan).

Max. connected load is 100mA.



Function check

Check that the drum is empty and the door has been closed.

Start the dryer

Check that the door switch is working. The drum must stop if the front door is opened.

Check the direction of rotation

Fig 1 This is done by selecting the "No heat" programme.

- Start the dryer. Leave the dryer running for 30 seconds.
- Open the door quickly. Observe the direction of rotation of the drum is clockwise.

Isolate the machines electrical supply - swap the positions of the incoming supply phases at the main terminal block - re-establish the supply and re-test.

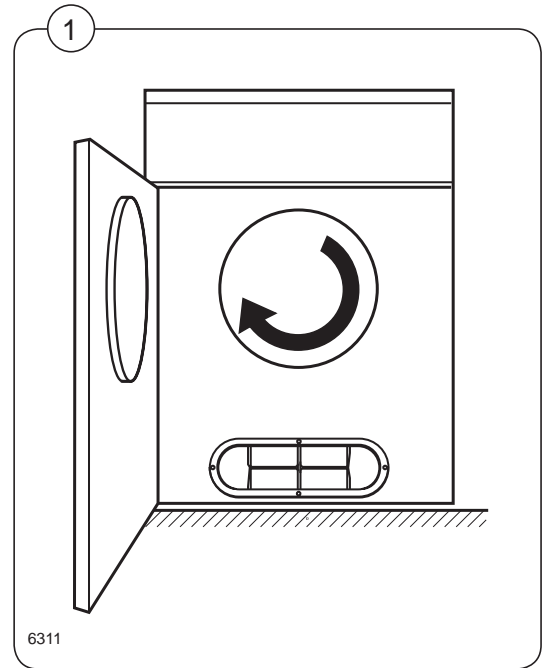
Final test

- Let the dryer work for 5 minutes on a program that requires heat.
- Check that the heating is working by opening the front door and feel the heat.

If the above test-points are in order, the dryer is ready for use.

Service organisation / dealer

If deficiencies or a fault are detected, please contact your local service organisation / dealer.





www.electrolux.com/professional

Share more of our thinking at www.electrolux.com