

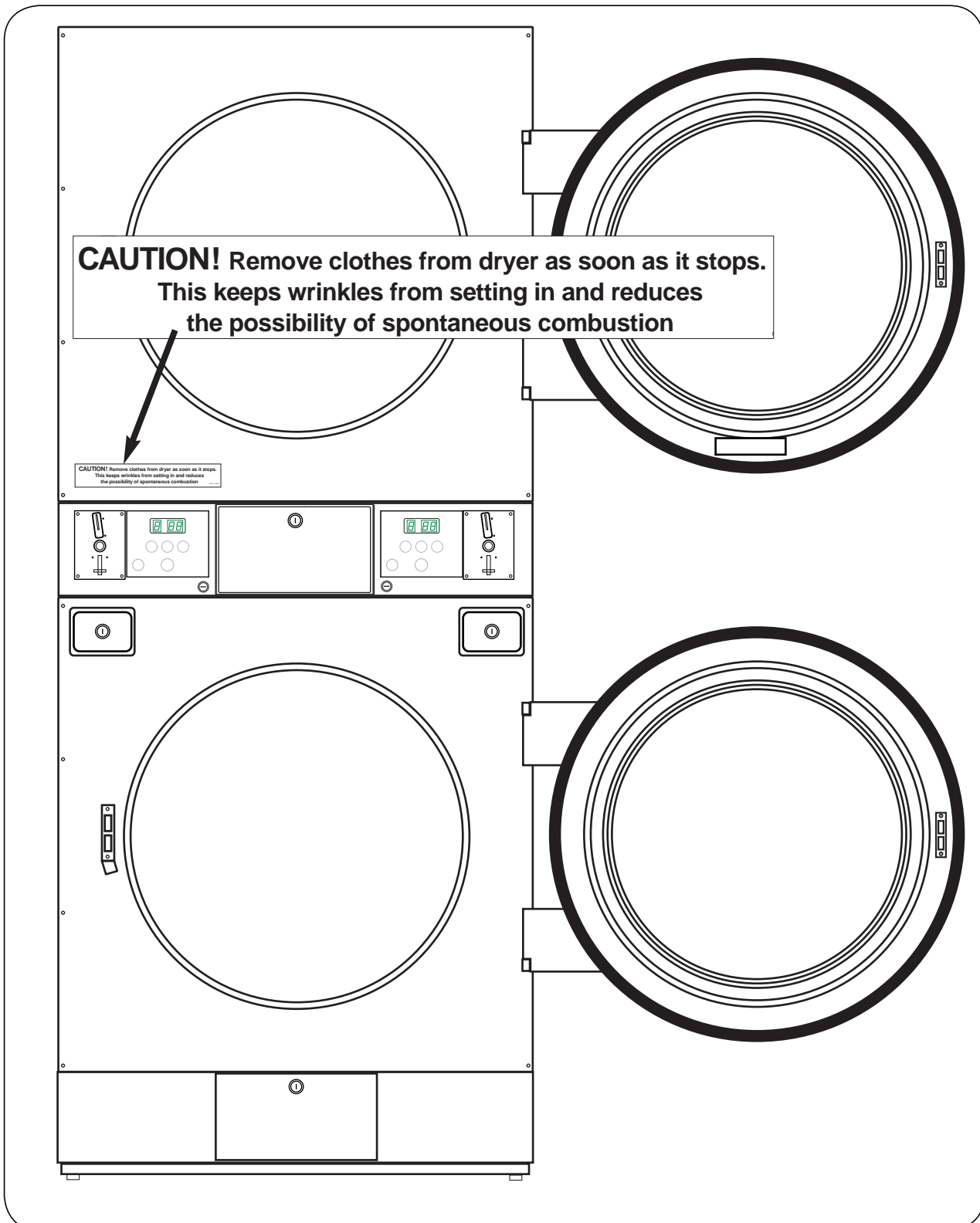
Installation manual

T4300S

487 23 10 61.05
EN

The front of the dryer

Affixed the enclosed sign on the front of the dryer.



Safety instructions

This machine is only intended for drying water-washed garments.

Clothes that have been cleaned with chemicals/flammable liquids, must NOT be dried in the machine.

Remove clothes from the tumble dryer as soon as they are dry. This prevents them from becoming creased, and reduces the risk of spontaneous ignition.

The machine must not be used for drying foam rubber or foam-like materials.

The machine must not be used for drying floor mops*.

The machine must not be used by minors.

The machine must not be hosed down with water.

Mechanical, electrical and gas installations must only be carried out by authorised personnel.

Report machine malfunctions to qualified service personnel as soon as possible. This is important for your own safety and for the safety of others.

Gas dryers only:

The machine is not to be installed in rooms containing cleaning machines with perchloroethylene, TRICHLOROETHYLENE or CHLOROFLUOROCONTAINING HYDROCARBONS as cleaning agents.

What to do if you smell gas:

Do not try to light any appliance.

Do not touch any electrical switch; do not use any phone in your building.

Evacuate the room, building or area.

Contact appropriate authorities.

*Applies only to floor mops containing polypropylene.

The dryer must not be installed behind a lockable door or a sliding door. In the rooms where the dryer is to be installed the door hinges must be on the outer side.

Contents:

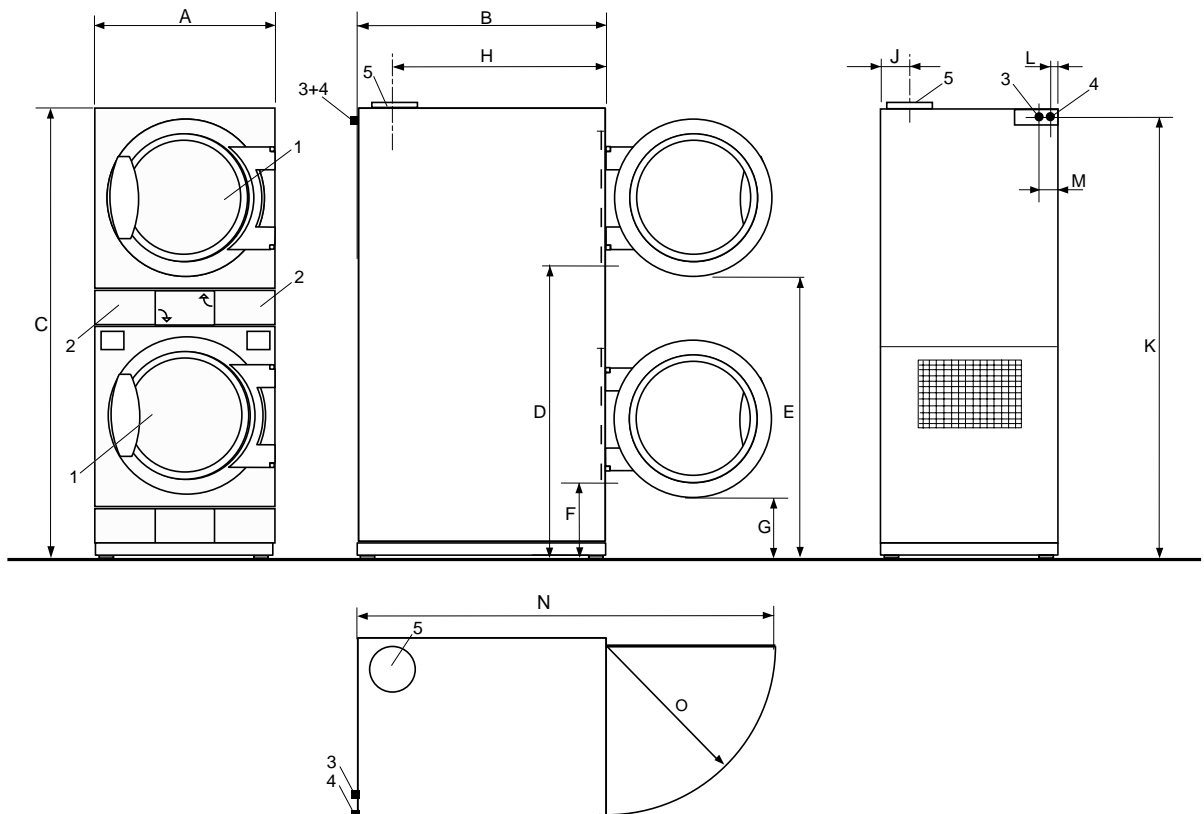
Dimension sketch	7
Technical data	8
Setup, positioning	10
Unpacking	12
Evacuation system	14
Evacuation dimension	15
Gas installation	17
Electric installation	21
External connection	22
Electric installation Electrical heated	23
Function check	25
Options: Adapter for direct fresh-air intake	26

The manufacturer reserves the right to modify design, material and specifications without notice.

Dimension sketch

1	Door opening = Ø 580 mm
2	Operating panel
3	Electric connection
4	Gas connection
5	Pipe connection, evacuation

	A	B	C	D	E	F	G	H	J	K
mm	790	1110	1960	1270	1210	320	260	910	140	1930
inch	31 1/8"	43 3/4"	77 1/4"	50"	47 5/8"	12 5/8"	10 1/4"	35 7/8"	5 1/2"	76"
	L	M	N	O						
mm	30	105	1840	740						
inch	1 3/16"	4 1/8"	72 1/2"	29 1/8"						



Technical data - type T4300S

Heating		Electric	Gas
Drum volume:		2x300 litres	2x300 litres
Weight net:		282 kg	282 kg
Drum:	Diameter	760 mm	760 mm
	Depth	660 mm	660 mm
	Revolutions per minute	45 rpm	45 rpm
Capacity, max:		2x13.6 kg	2x13.6 kg
Heat effect:	Electric	2x9 kW/2x13,5 kW/2x18 kW	
	Gas		2x21 kW
Air consumption:		2x600 m ³ /h	2x600 m ³ /h
Pipe connection:			
Evacuation		Ø 200	Ø 200
Drop in pressure:			
Evacuation max.		400 Pa	400 Pa
Gas pipe connection:			ISO 7/1-R1/2
Gas pressure:	See page regarding gas pressure		
Noise level:		< 70 dB (A)	< 70 dB (A) -

Technical data - motor specifications

230V / 1 / 50 Hz

Drum motor (No. 487028125):

Effect	430W
Revolutions per minute:	2760 rpm

Blower motor (No. 487028124):

Effect	520W
Revolutions per minute:	2830 rpm

200-240/400-415V / 3 / 50 Hz

Drum motor (No. 487028126):

Effect	520W
Revolutions per minute:	2700 rpm

Blower motor (No. 487028126):

Effect	520W
Revolutions per minute:	2700 rpm

200-240/400-480V / 3 / 60 Hz

Drum motor (No. 487028126):

Effect	520W
Revolutions per minute:	3300 rpm

Blower motor (No. 487028126):

Effect	520W
Revolutions per minute:	3300 rpm

Setup

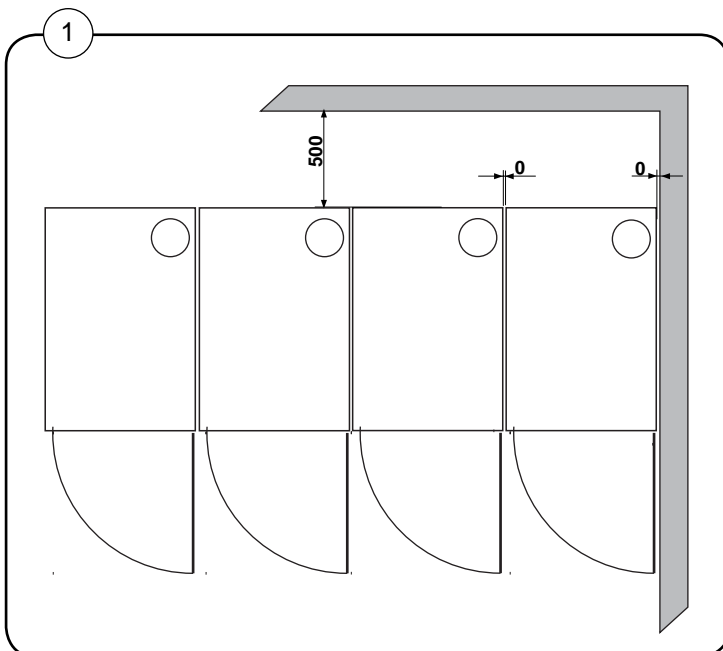
Positioning

Fig. 1 Locate the dryer to ensure easy use and service.

Fig. 1 The distance to the wall or other equipment behind the dryer should be min. 20" (500 mm).

Apart from the minimum distances shown on fig. 1 there are no further requirements to the distance around the dryer.

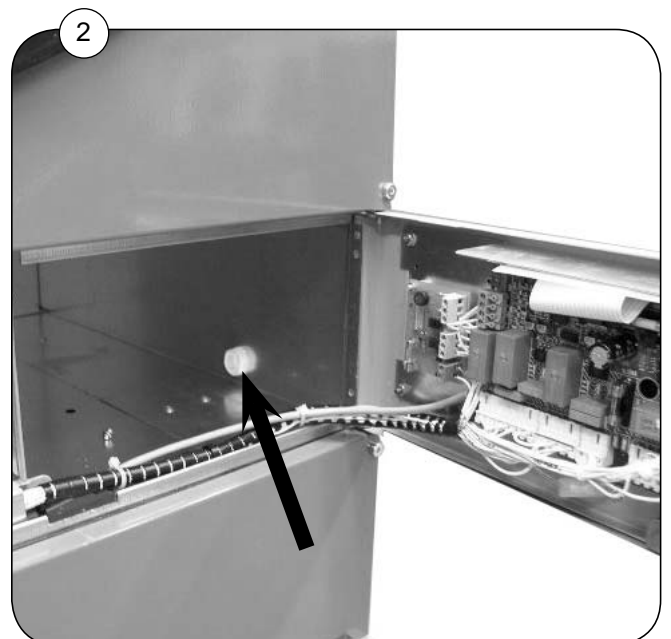
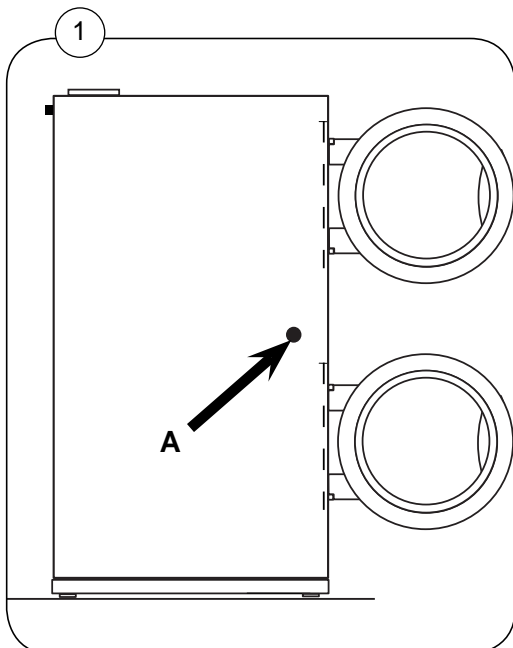
There should be free access to the back of the dryer for the purpose of servicing.



Setup

Connection to network

1. Fig. 1 If several tumble dryers are to be connected to a network, the plugs **A** in the side panels must be removed before the dryers are installed.
2. Fig. 2 A bushing for network cables must be installed from the inside in the right-hand side panel. The bushing must be pushed right through the hole in the left-hand side panel on the side of the dryer.



Unpacking

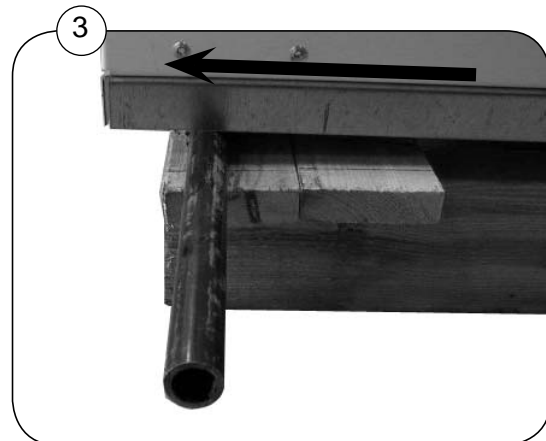
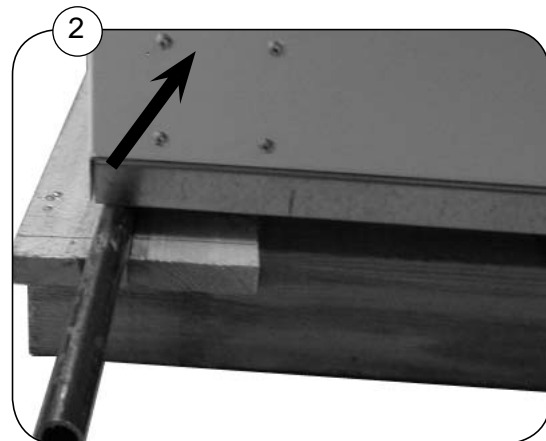
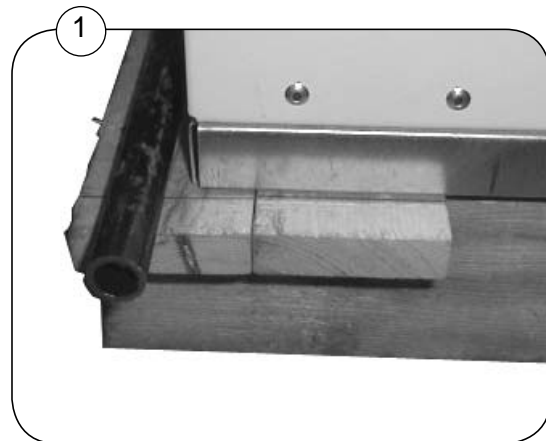
Handle the machine carefully when unpacking.
There are no transport fittings.

Remove the dryer from the pallet

At least 2 people are required to remove the dryer from the pallet.

The dryer is secured to the pallet with 3 transport screws.

1. Open the filter door. Remove the 2 transport screws at the front.
2. Remove the lower rear panel. Remove the transport screw by the rear panel. Install the rear panel.
3. Position a 1 1/2" steel pipe behind the tumbler as shown in fig. 1.
4. Stand behind the dryer and tilt it forwards. When the tumbler releases the pallet, push the pipe under the tumbler. Fig. 2.
5. Push the tumbler from in front so that it hangs over the rear edge of the pallet. Fig. 3.
6. Remove the steel pipe by tilting the dryer forwards and removing the pipe.



Installing the dryer

Mechanical installation

Fig. 1

Adjust the dryer so that it is horizontal and stable on all four feet.

The height of the feet can be regulated by a maximum of 50 mm.

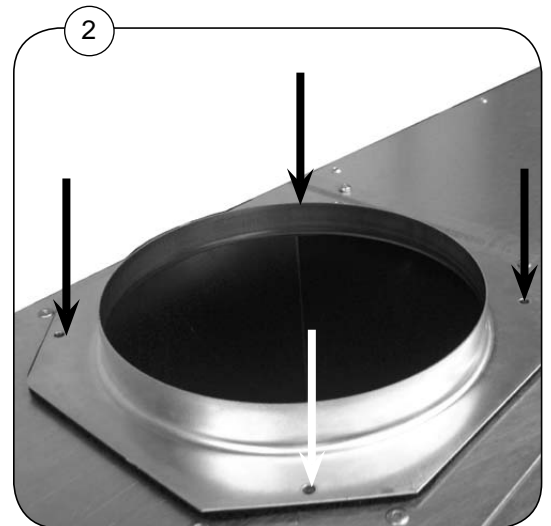
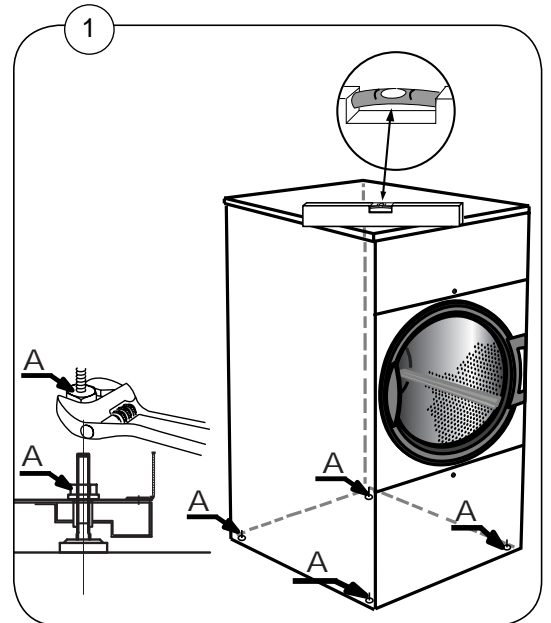
Once adjustment is complete, lock the feet with the self-locking nuts.

The dryer should not normally be bolted to the floor or base.

Connection branch

Fig. 2

Mount the enclosed branch at the top of the exhaust plenum. Use the 4 screws.



Evacuation system

Fresh air

Fig. 1

In order for the dryer to work optimally with the shortest possible drying time, it is important for the air supply to the room to take place through a vent to the open air, with the same amount of air being brought in as is evacuated.

In order to avoid draughts in the room, it is best to position the air inlet behind the tumbler.

Fig. 2

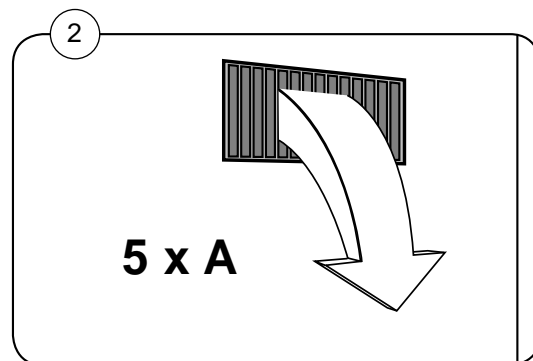
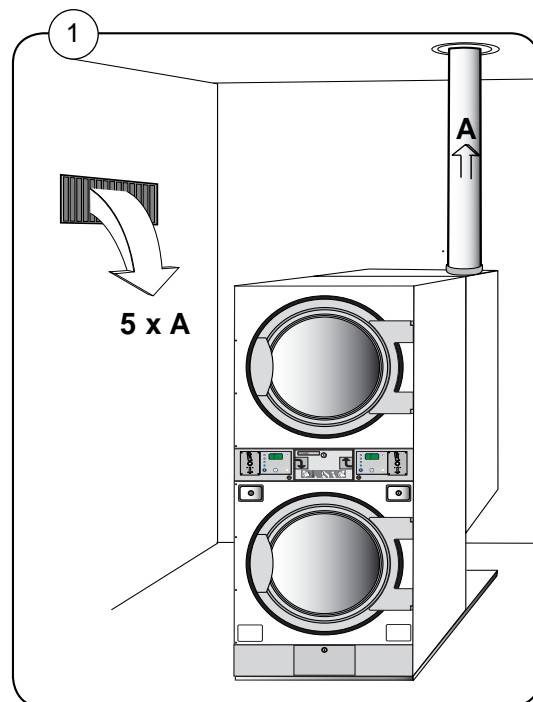
The free area* at the intake air opening must be 5 times larger than the vent pipe's area.

The air resistance in the grate / louvre must not exceed 10 Pa (0.1 mbar).

Max. air consumption 2 x 600 m³/h.

*The free area is the area through which the air can flow without resistance from fins / louvres.

Note that fins / louvres often block half the total area of the fresh air hole. Remember to take this into account.



Air principle

The blower creates low pressure in the dryer, drawing air into the drum via the heating unit.

The heated air passes through the garments and the cylinder vents.

The air then flows out through a lint filter (filter drawer) positioned immediately below the drum. After this, the air is evacuated through the fan and exhaust system.

It is very important for the tumbler to receive plenty of fresh air, see next section.

Evacuation system

Exhaust duct

- The exhaust duct must be smooth on the inside (low air resistance).
- The exhaust duct must lead to the outdoors.
- The exhaust duct must lead clear of the building as condensation may cause frost damage to the building.
- The exhaust duct must be protected against rain and foreign objects.
- The exhaust duct must have gentle bends (fig. 1).
- The exhaust duct must not be a shared duct between dryers and appliances using gas or other fuels as their energy source.

When several dryers share an exhaust duct:

- The exhaust duct diameter must increase after each dryer (fig. 2).
- The table below shows the exhaust duct diameter and the necessary fresh-air inlet area.

Note! It is recommended that each dryer is connected to a separate exhaust duct.

Service organization/dealer

If you have questions relating to the design of the exhaust system, please contact your local dealer or service organization.



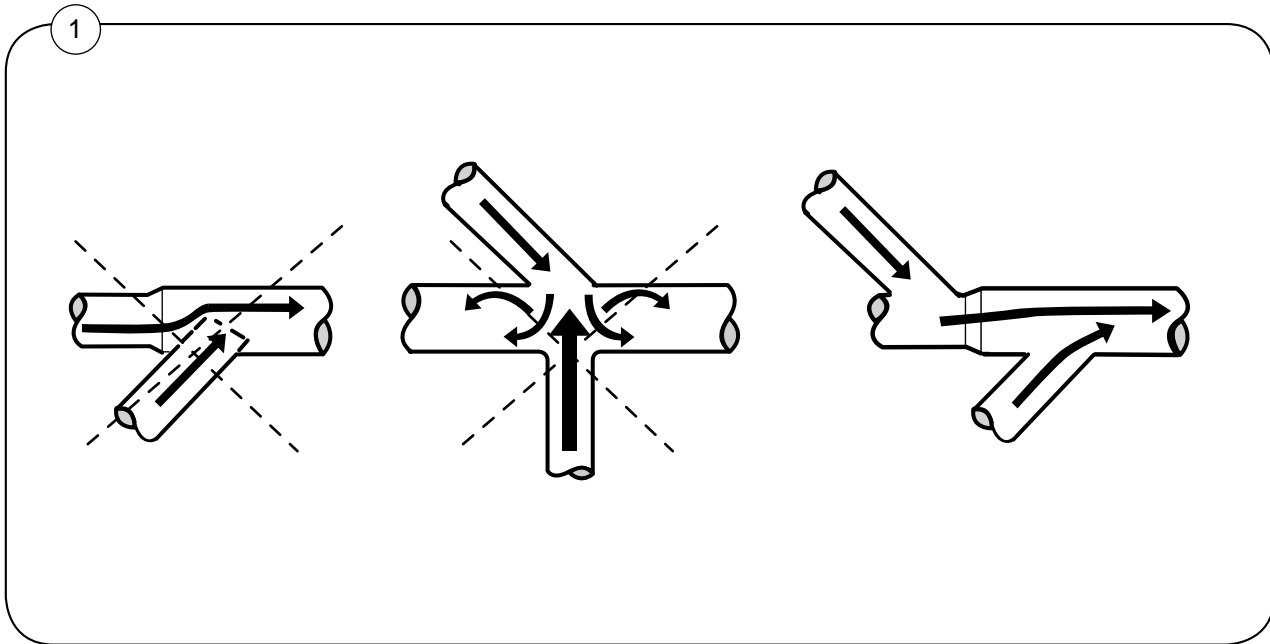
The evacuation pipe diameter must not be reduced.

No. of dryers	1	2	3	4	5	6	7	8	9	10
Exhaust duct diameter in mm	200	280	315	355	400	450	475	500	535	560
Minimum area of fresh-air intake in m ²	0.15	0.30	0.45	0.60	0.75	0.90	1.05	1.20	1.35	1.50

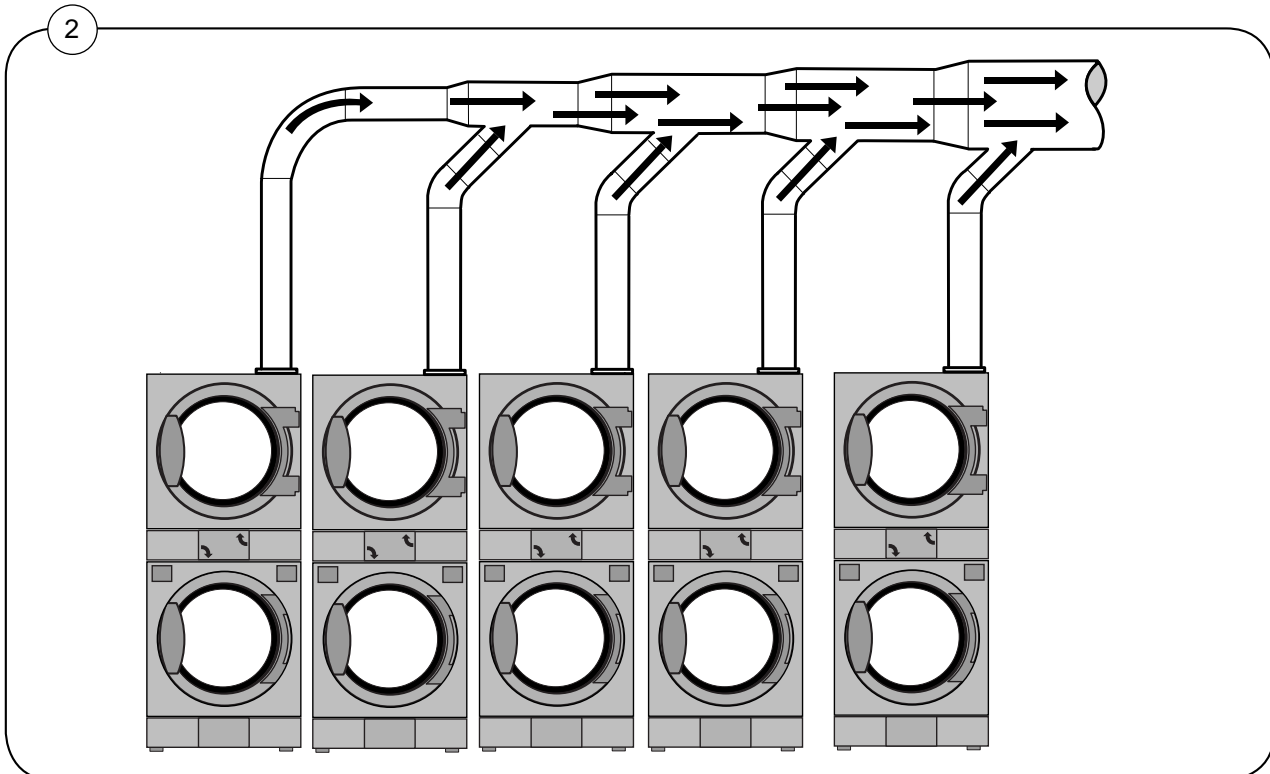
Each machine requires a fresh-air aperture of 400 x 400 mm

Evacuation system

Gentle bends



Several dryers on a shared exhaust duct



Gas installation general



Fig. Mount a shut-off valve upstream from the dryer.

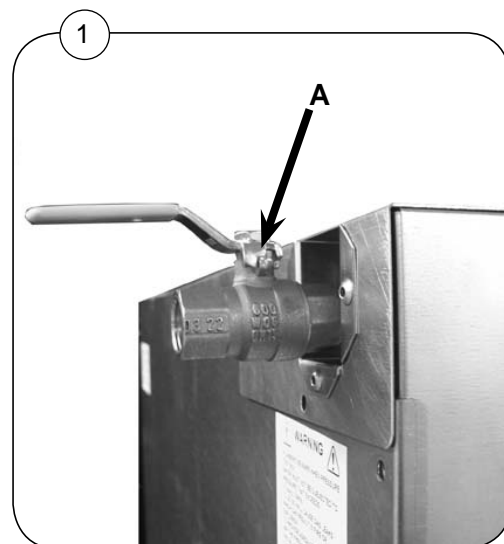
The gas line to the dryer must be designed for a power supply of 2x21 kW, dependent on the size of the dryer.

The factory nozzle pressure setting corresponds to the fuel value given on the data label.

Check that the nozzle pressure and fuel value correspond with the values in the gas tables on the following pages. If not, contact the supplier.

Bleed the pipe system before connecting the dryer.

After connection, test all joints for leaks.



Test run

1. Screw until the measuring connection (2) is loosened 1/4 turn.
2. Connect a manometer to the measuring connection (2), see side with gas valve.
3. Select a program with heating.
4. Start the tumbler.
5. Check the nozzle pressure, see table.

Any adjustment is carried out using the regulator's adjusting screw (4) under the cover screw (3).

Check that the gas flame is steady and blue in colour.

Function check

The function check is described in the back of this manual.

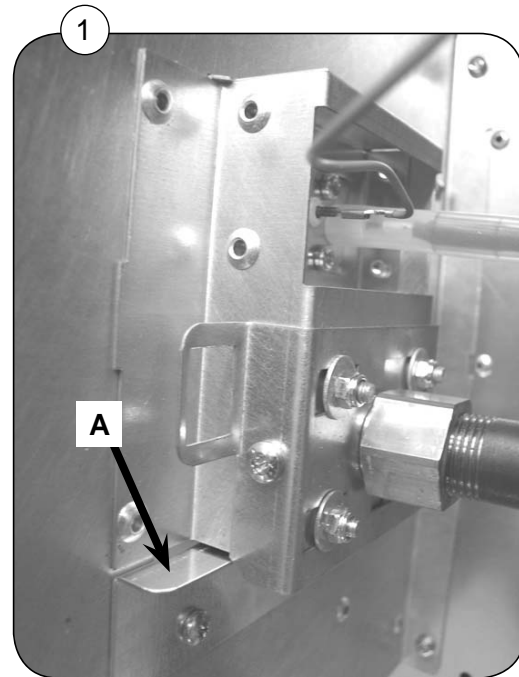
Gas installation general

Converting to bottled gas / natural gas

If the machine is to be converted to another type of gas, the gas nozzle must be replaced.

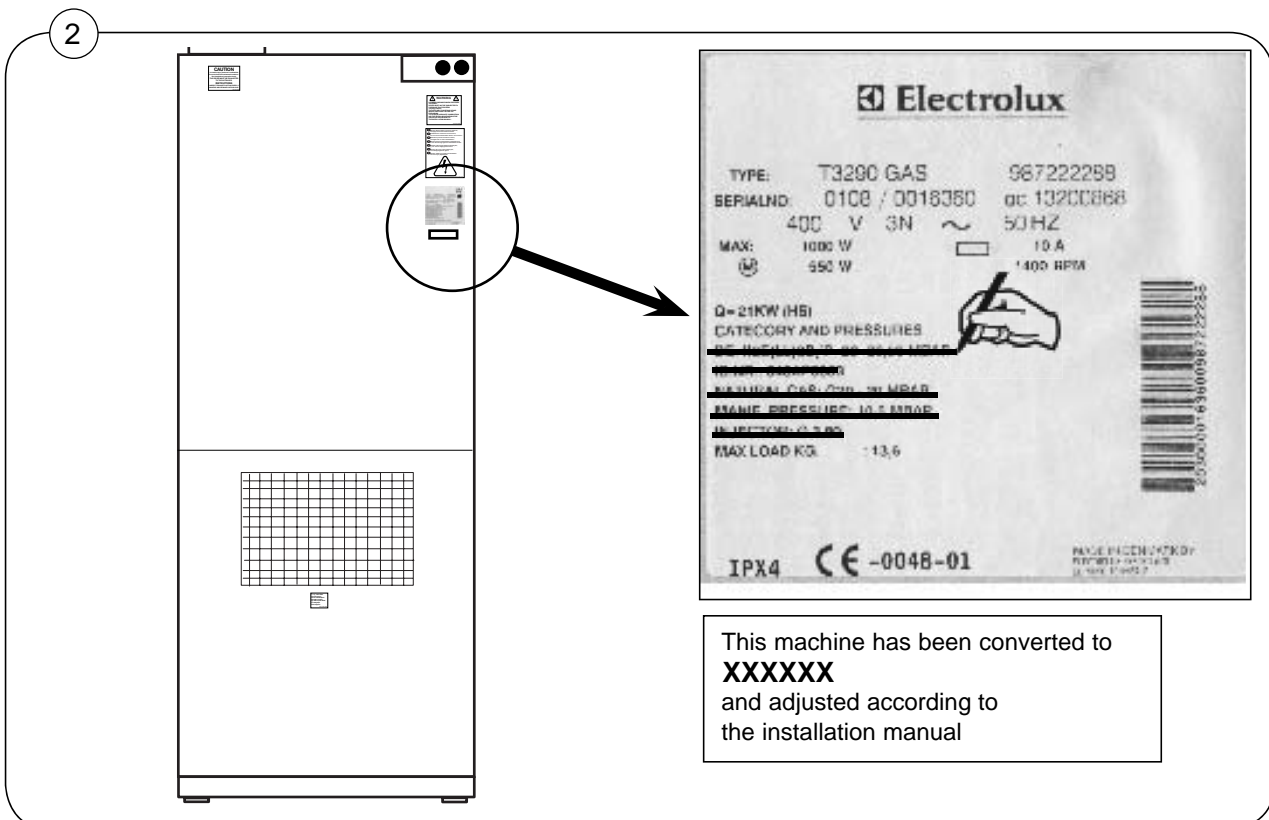
1. Remove the bracket **A** and nozzle
2. Mount the accompanying nozzle (1).
3. Loosen the measuring branch screw (2) 1/4 turn; connect a manometer to the measuring branch (2).
4. Connect the power and select a heat programme.
5. Start the dryer.
6. Set the nozzle pressure on setting screw (4) under nipple (3).
- 7 Check that the gas flame burns evenly and has a bluish colour.
8. Mount the cover screw (3).

The numbers in brackets refer to the page regarding the gas valve.



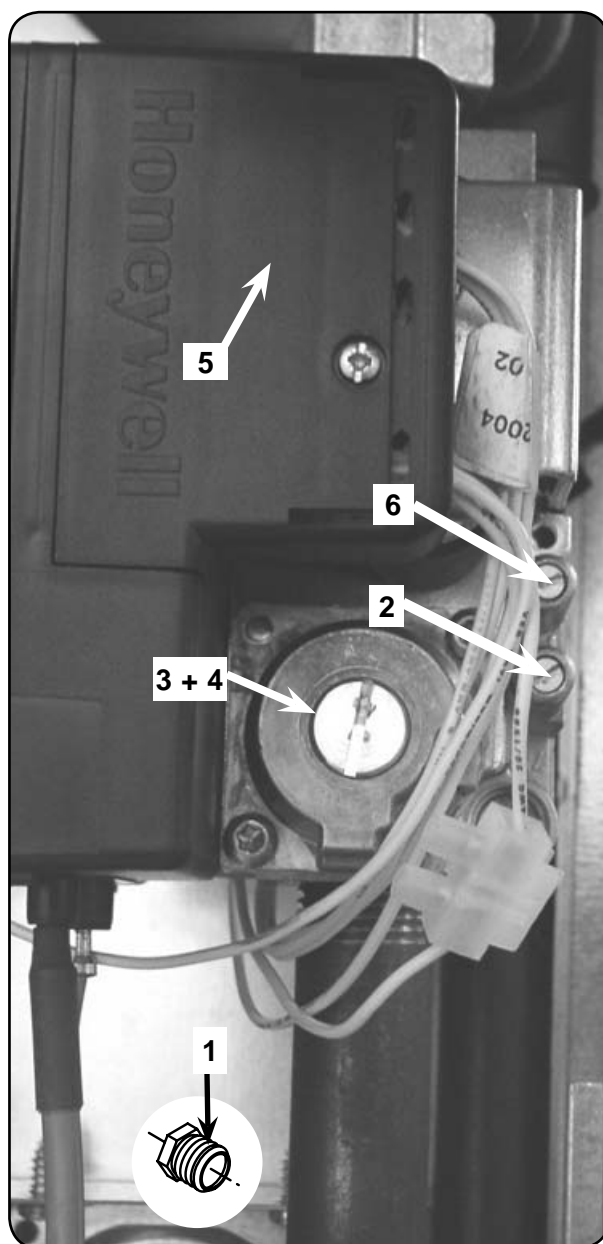
Affixing the sign

See fig. 2.



Gas valve

1. Nozzle
2. Measuring tap, nozzle pressure
3. Adjusting screw cap
4. Adjusting screw
5. Ignition control
6. Measuring tap, supply pressure



Gas installation

Tables of pressure and adjustments

Heat effect: 2 x 21kW

Note

Because of the differences in gas installation regulations in European Union it is important to use the Italian-language manual in Italy and the French-language manual in France ect.

	a	b mbar	c mbar	d mm
Denmark	LPG	30	30	2.20
Norway	GNH	20	10.5	3.80
Sweden				
Finland				
Italy	LPG	28 / 37	28 / 37	2.20
England	GNH	20	10.5	3.80
Spain				
Portugal				
Ireland				
Greece				
France	LPG	28 / 37	28 / 37	2.20
Belgium	GN	20 / 25	20 / 25	3.30
Germany	LPG	30 , 50	30	2.20
	GNH	20	10.5	3.80
	GNL	20	15.5	3.80
Holland	LPG	30	30	2.20
	GNL	25	15.5	3.80
Austria	LPG	50	30	2.20
	GNH	20	10.5	3.80
Japan	LPG	30	30	2.20
Australia	Propane			
New Zealand	GN			
The rest of the world except: USA	LPG	30	30	2.20
	GNH	18	10.5	3.80
	GNL	18	15.2	3.80

a Gas type

c Nozzle pressure

b Connection pressure

d Nozzle

Electric installation - gas heated


To be carried out by qualified personnel


The tumble dryer must be connected to its own fuse/miniature circuit-breaker group and multipole switch in accordance with IEC 60947.

Cable dimension

When calculating the dimensions of the connecting cable, refer to the local regulations.

Connecting power

A wiring diagram is included with each dryer showing the wiring connection sequence.

Remove the back plate to connect through supply entrance to the power terminal strip.

Gas heating:

1-phase 230-240V, fig. 1:

Top dryer:	L1T = Phase
	N1T = Neutral
Bottom dryer:	L1B = Phase
	N1B = Neutral

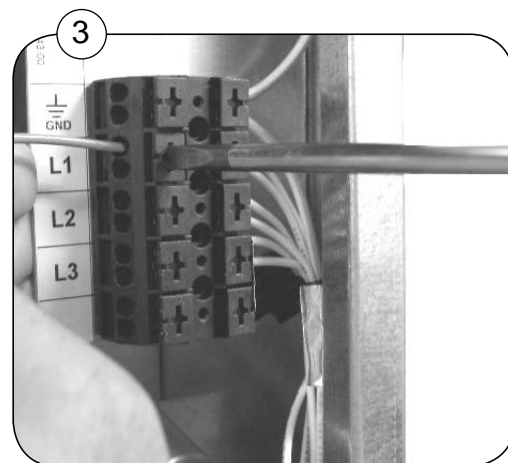
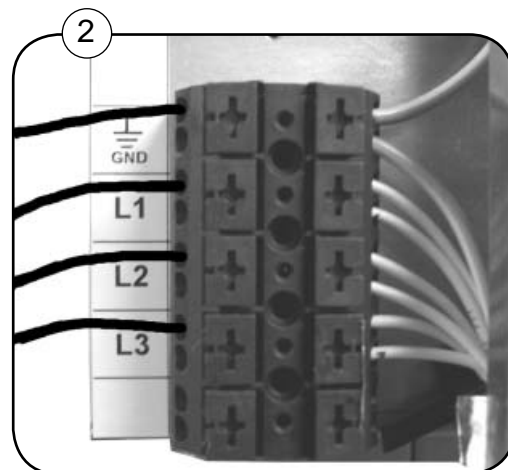
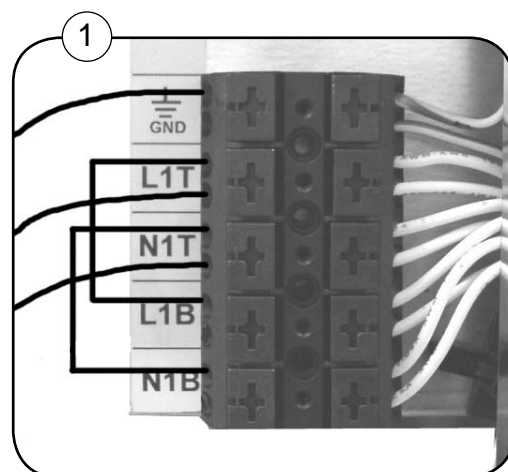
3-phase, fig. 2: Top- and bottom dryer

L1 = Phase
L2 = Phase
L3 = Phase



Fig. 3 Cables are installed with the aid of a screwdriver.

Fuse / miniature circuit-breaker and output

The size of the fuse / miniature circuit-breaker and the max. output of the tumble dryer can be seen overleaf.



Electric installation


To be carried out by qualified personnel


External connection — 100 mA Standard on all electrically heated dryers

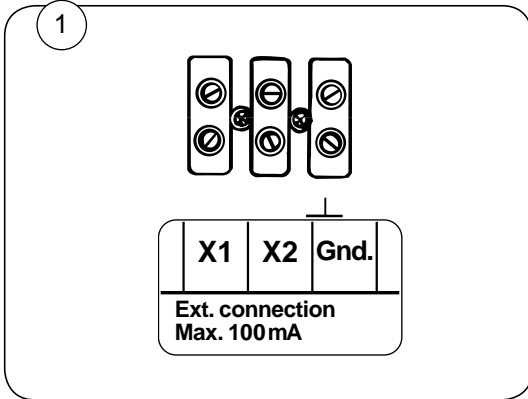
A special screw joint and a terminal can be found on the tumbler's terminal board.

The terminal for external control is supplied with 110V / max. 100 mA and is solely intended for operating contactors.

(external control of a ventilator)

Max. connection 100 mA.

Gnd. must not be used for earthing an external terminal board.

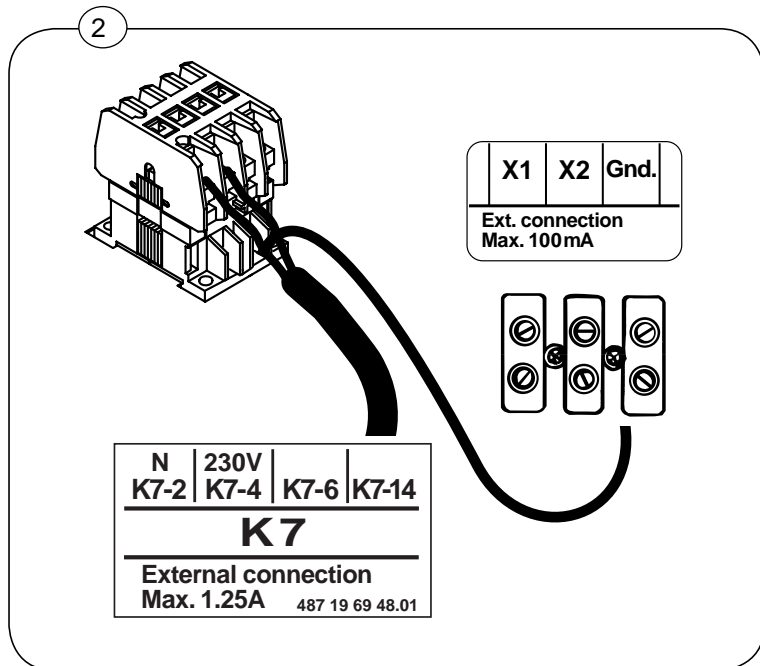


External connection — 1.25 A Option, only on 400 V machines with neutral

If the dryer is supplied from the factory with an external junction with max. connection of 230 V / 1.25 A, this junction can be used to connect an external ventilator.

The cable to the external junction is installed in contactor K7 in K7-2 and K7-4. The earth cable is connected to the earth terminal in the terminal for the external junction.

Max. connection 1.25A.



Electric installation

The dryer must be connected to its own fuse group and multi-pole main switch according to IEC 60947.

Connecting the cable

Mount the enclosed cable gland.

The cable is led through the cable gland to the terminal block and connected as illustrated. If there is a neutral conductor in the power supply line this must be connected to terminal N:

Cable dimension

For calculation of the connection cable dimension, please refer to local guidelines.

Fuse group and effect

The sizes of the fuse group and the effect are shown on the following page.

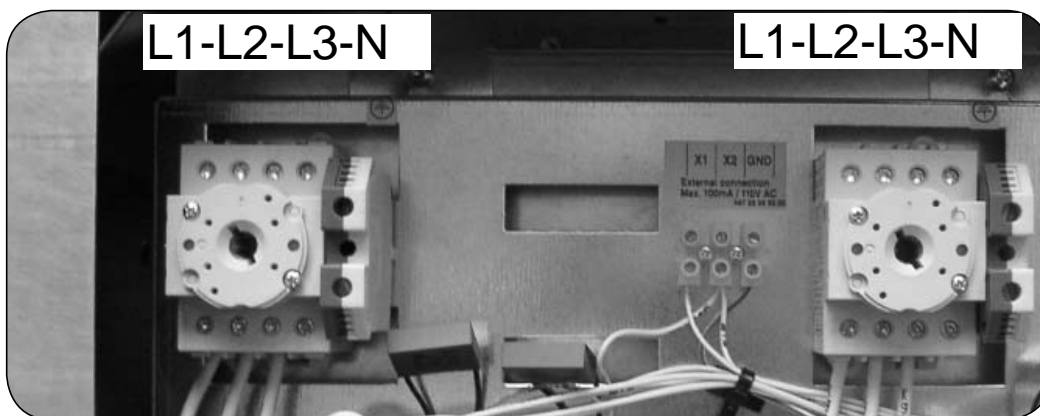
Function check

Mount the enclosed cover plate.

The function check is described in the back of this manual.

NB: Correct direction of rotation is important!

The tumble dryer must be equipped with supplementary protection in accordance with heavy current regulations.



Top

Bottom

Electrical installation

Heat output: Type 4300S 9/13.5/18 kW

	Voltage	Heat effect kW	Motor effect kW	Fuse
Gas heating	200-240V 3AC 50/60 Hz	0	2	10A
	400-480V 3AC 50/60 Hz	0	2	10A
	230-240V 1AC 50Hz	0	2	10A

Electric heating	230V 3AC 50 Hz	2x9	2x1	2x35A
	400V 3AC 50 Hz	2x9	2x1	2x16A
	415V 3AC 50/60 Hz	2x9	2x1	2x16A
	440-480V 3AC 60h	2x9	2x1	2x16A
	400V 3AC 50 Hz	2x13.5	2x1	2x25A
	415V 3AC 50 Hz	2x13.5	2x1	2x25A
	440V 3AC 60Hz	2x13,5	2x1	2x25A
	480V 3AC 60Hz	2x13.5	2x1	2x20A
	400V 3AC 50/60Hz	2x18	2x1	2x35A
	415V 3AC 50/60Hz	2x18	2x1	2x35A
440V 3AC 60Hz	2x18	2x1	2x35A	
480V 3AC 60Hz	2x18	2x1	2x25A	



To be carried out by qualified personnel



Function check

Check that the drum is empty and the loading door is closed.

Start the dryer

Check if the switches are working properly:

- The dryer must stop if the loading door is opened.
- The dryer must stop when the lint drawer is opened.

Checking the direction of rotation

Fig. 1.

Correct direction of rotation: clockwise.

Turn the terminal through 2 phases if the direction of rotation is incorrect.

Final test

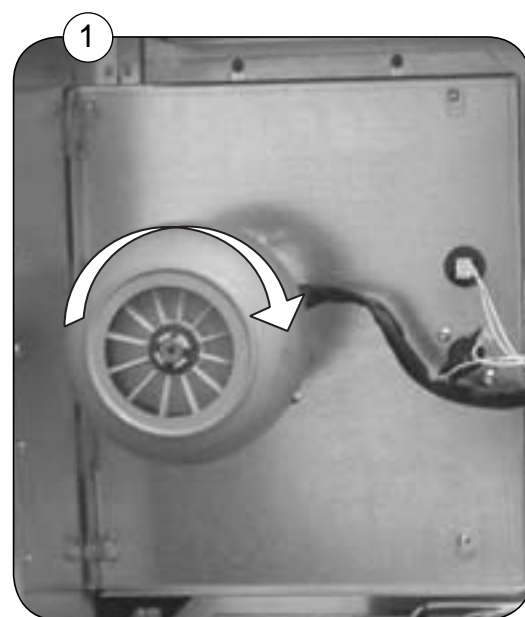
Let the dryer work for 5 minutes on a program that requires heat.

Then check whether the heating is working by opening the door and feeling the heat.

If the above test-points are in order, the dryer is ready for use.

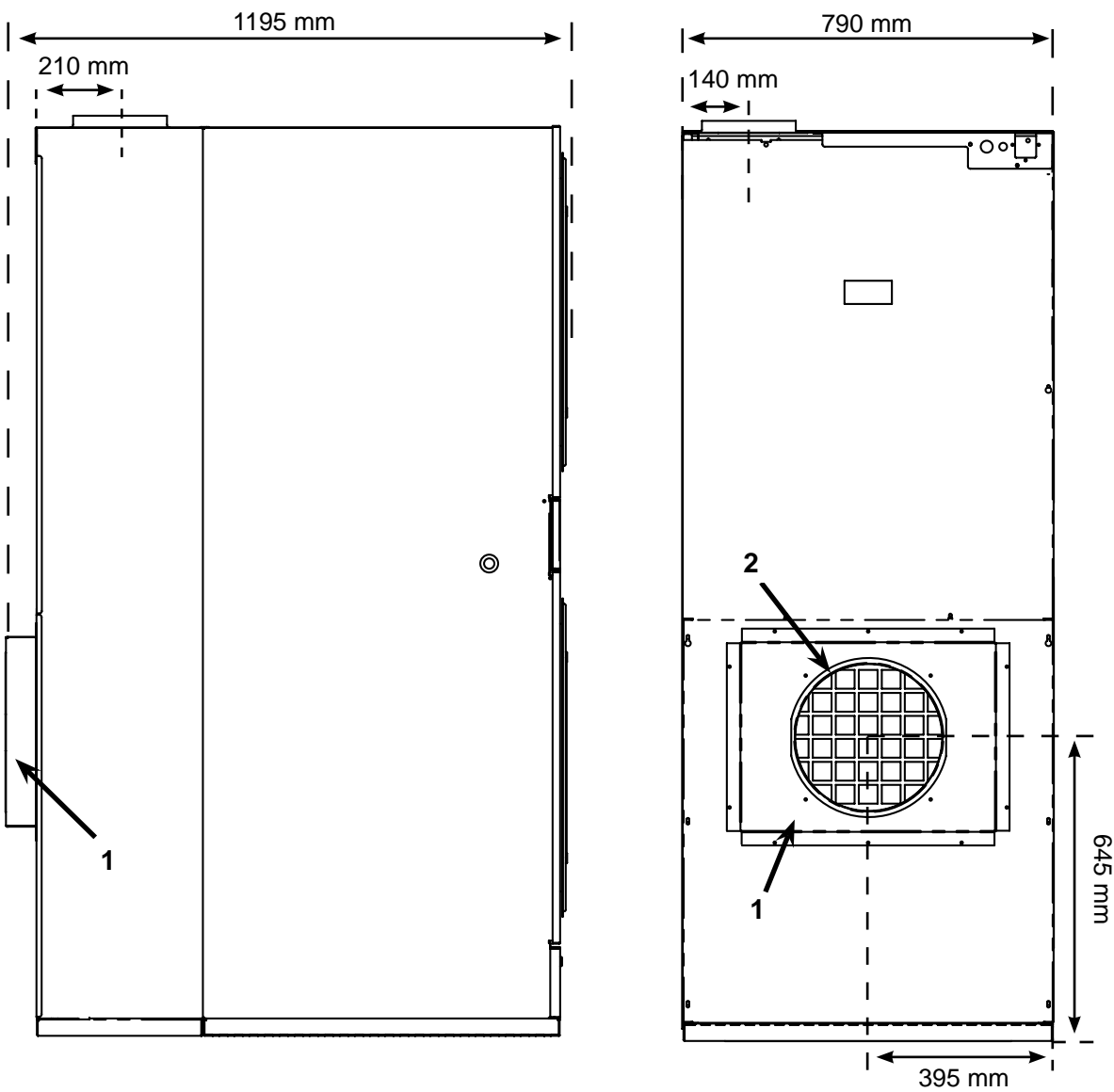
Service organisation / dealer

If operational problems are encountered, please contact your local service organisation / dealer.



Dimension sketch - Adapter for direct fresh-air intake

1	Adapter kit no. 988 802 050 - Gas- and electric heated dryer.
2	Diameter Ø 315



 **Electrolux**
Professional

Electrolux Laundry Systems
Lundtoftegaardsvej 93A, DK-2800 Lyngby, Denmark
Telephone: +45 4526 4800. Telefax: +45 4526 4801
Internet: www.electrolux.com/laundrysystems
E-mail: els.info@electrolux.com