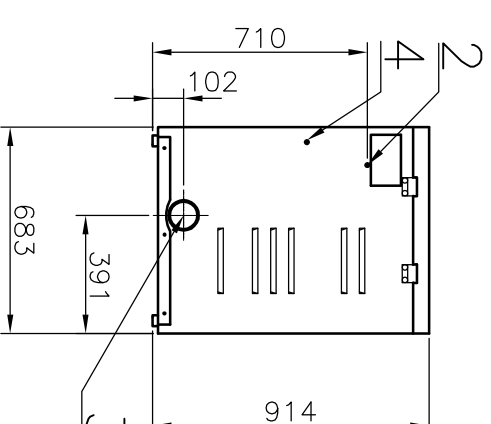
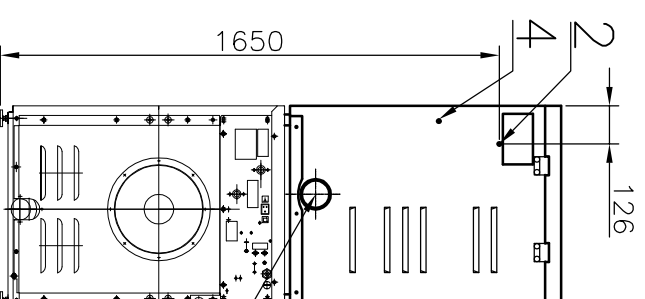
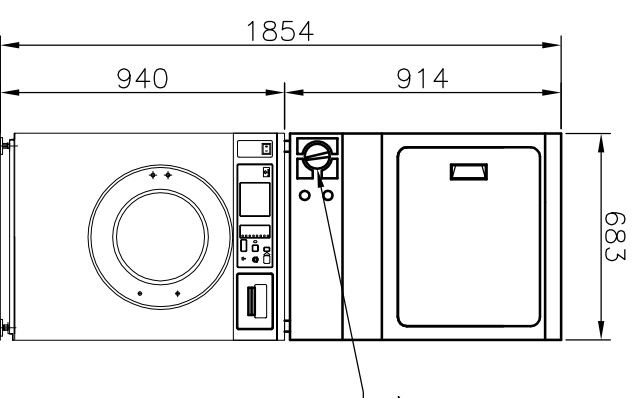
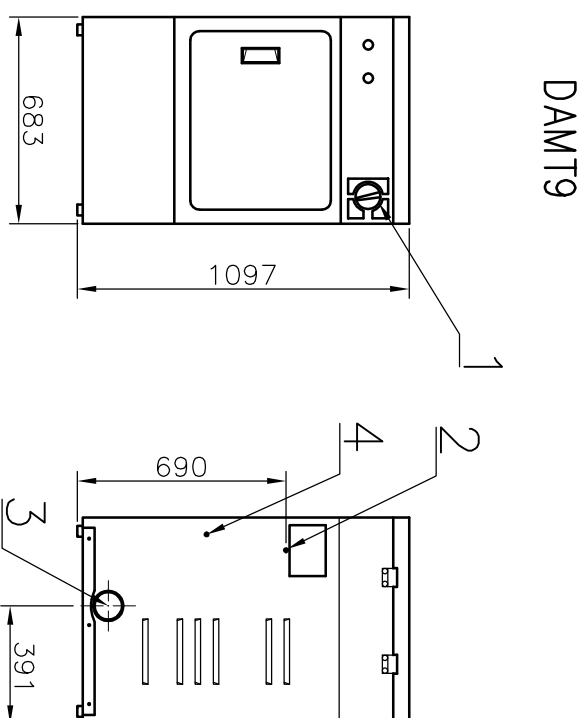


## P 7 + DAMS 9



### LEGEND

1. Main switch
2. Main power supply
3. Exhaust outlet
4. Earthing connection

### EXHAUST SYSTEM:

The dryer produces hot humid air (maximum temp. 70°C) and combustible lint. To reduce a risk of fire and health problems the dryer must be exhausted to the outdoors by means of exhaust duct connected to exhaust piping. The design of the flue system shall be such that any a condensate formed when operating the appliance from cold shall either be retained and subsequently re-evaporated or discharged. If possible, do not install dryers and gas fired hot water heaters or the other gravity vented appliances in the same room. Use exhaust ducts made of sheet metal or other noncombustible material. Exhaust duct should be practically the shortest. Maximum length of 102mm diameter (rigid metal duct / flexible metal duct) in dependence on numbers of 90° elbows: 0 elbow – 19,8m / 13,7m, 1 elbow – 16,8m / 10,7m, 2 elbows – 14,3m / 9,1m, 3 elbows – 11,0m / 7,6m. Deduct 1,8 m (6') for each additional elbow. To prevent backdraft when dryer is not in operation, outer end of exhaust pipe must have a weather hood with hinged dampers. The industrial dryer may be located only in ventilated space. The dryer requires an action related to air which replaced the air exhausted from the dryer.

MACHINE TYPE	DAMT9, DAMS9
<b>MACHINE DIMENSIONS</b>	
Width – maximum	683 mm
Depth	711 mm
Height – maximum	1097 mm
Cylinder – diameter	914 mm
– depth	650 mm
– capacity	520 mm
Net weight	184 l
Exhaust duct diameter	57 kg
Optimal air flow quantity	ø102 mm
Equivalent resistance of exhaust duct	306 m3/hour
<b>ELECTRICAL DATA</b>	
Heating elements	98 Pa
Rated input power of the machine	4.5 kW
Voltage system	5 kW
Amps	3+N+PE 400 V, 50 Hz
Conductor section [mm <sup>2</sup> Cu]	10 A
	5x1.5

<b>primus</b>	DAMT9	Datum:	25.4.2001	Vykres č.	06-105-2.1
	DAMS9 E	Autor:	TR	Index/datum	B/05.2009
<b>TUMBLE DRYER</b>					