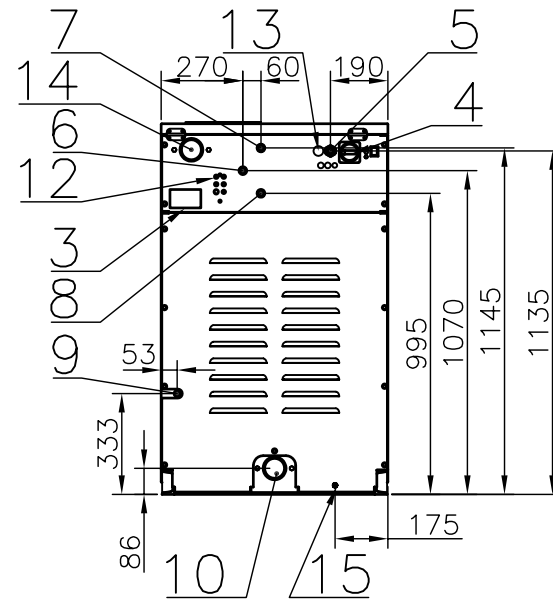
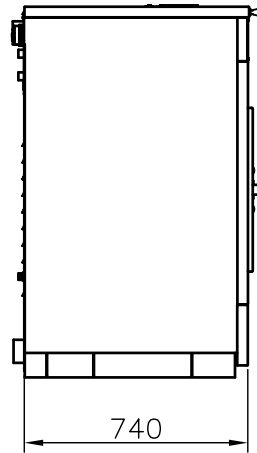
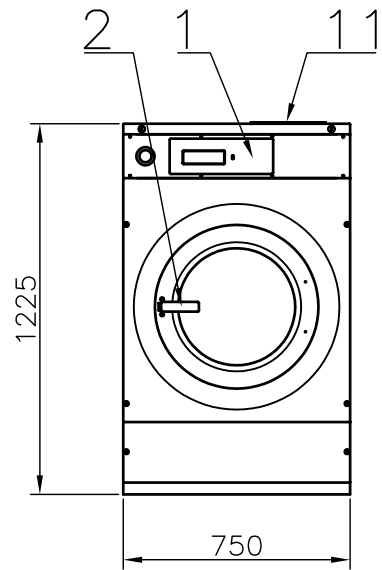
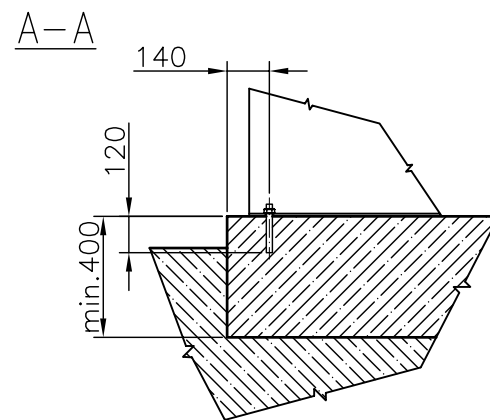
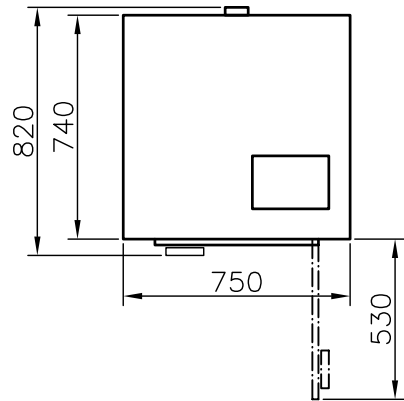


## TECHNICAL SPECIFICATION



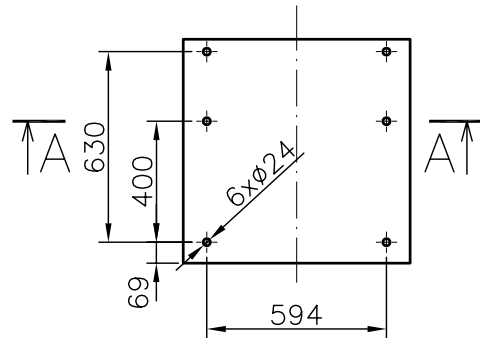
### LEGEND:

1. Electronic programmer
2. Door handle
3. Name plate
4. Main switch
5. Power supply
6. Cold soft water inlet
7. Cold hard water inlet
8. Warm water inlet
9. Steam inlet
10. Drain outlet
11. Soap hopper
12. Plugs of holes for external dosing hoses
13. Bushing of external dosing pumps
14. Ventilation
15. External protective clamp (from the inside)



The machine must be fixed to the floor which complies with static and dynamic machine stress. The machine must be fixed to a concrete socle by bolts.

### ANCHORING:



### WATER CONNECTION:

The washer is equipped with 3/4" valves for watering of cold (soft and hard) and warm water. The all valves have to be connected for right function of washer. The filling valves (3/4") are part of machine. The pressure hoses with seal are part of delivery. Stop valves (3/4") have to be on supply line.

### DRAIN CONNECTION:

The drain has to be connected to the waste channel. You can use the elbow, which is part of the delivery.  
The waste channel must be located lower than the drain pipes because the water discharges from the machines by gravity. Do not reduce the diameter of the machine drain pipes.  
Put the stench trap in drain pipe.  
The main drain pipe must have the capacity to be able to handle the total output of all connected machines (13kg washer – 78 l/min).

Type:	RS 13
Capacity: load ratio 1:10	13 kg / 30 lb
Inner drum dimension: diameter depth	650 mm / 25.6" 395 mm / 15.6"
Drum volume	131 dm <sup>3</sup> / 34.6 gal
Drum revolutions: wash extraction	45 rpm 525 rpm
G-factor: extraction	100
Machine dimensions (max.): width depth height	750 mm / 29.5" 820 mm / 32.3" 1225 mm / 48.2"
Weight netto brutto	195 kg / 430 lbs 205 kg / 452 lbs
Machine electrical execution:	E: 3x380-415V+N 50Hz S: 1x220-240V 50Hz (can be connected to 3x380-415V 50Hz)
Rated motor power: Rated heating power input (E version): Rated input power of the machine	0.75 kW 12 kW E: 12.9 kW S: 0.9 kW
Power supply protection: with electrical heating: without heating:	12kW/3AC 400V/25A 1AC 230V/10A
Motor overloading protection:	electronic protection by the frequency inverter
Conductors section:	E: 5 x 4 mm <sup>2</sup> Cu S: 3 x 2.5 mm <sup>2</sup> Cu
Water connections: water pressure water connection drain connection	0.2÷0.8 MPa / 29÷116 psi 3x 3/4" Ø76 mm / 3"
Version with steam heating (S): steam connection steam pressure average steam consumption: maximum steam consumption:	1/2" 0.3÷0.7 MPa / 45÷100 psi 13 kg/cycle / 28.7 lbs/cycle 0.016 kg/sec / 0.031 lbs/sec
Number of soap hoppers:	3
Connections to liquid detergents:	5
Max. static load (kg) (with textile and water)	2.6 kN
Max. dynamic load (kg) (intermittent vibrations)	6.5 kN
Frequency of dynamic load (Hz)	8.75 Hz
Mounting bolts:	6x M16x160

<b>primus</b>	<b>RS13</b>	Datum:	05.07	No.	01-202-2
		Autor:	RJ	Index/datum	C/07.2008
<b>WASHER - EXTRACTOR</b>					