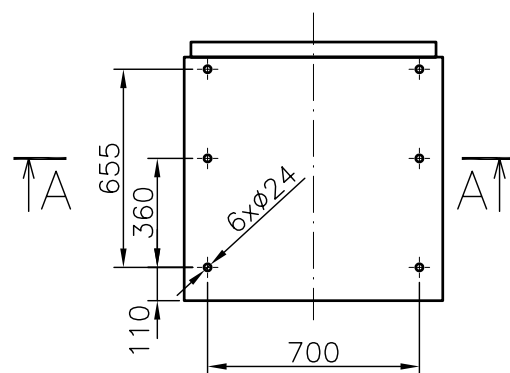
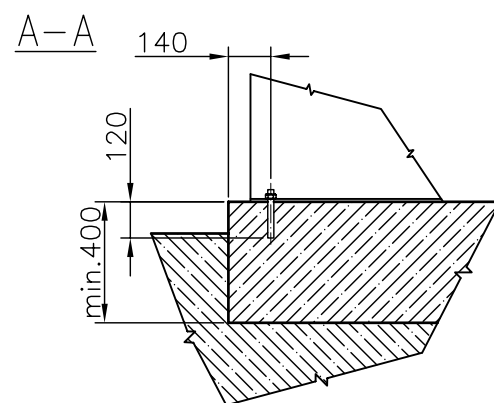
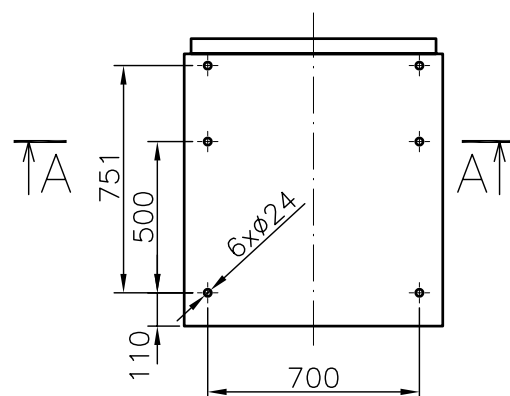


ANCHORING - RS18:



ANCHORING - RS22:



The machine must be fixed to the floor which complies with static and dynamic machine stress. The machine must be fixed to a concrete socle by bolts. The manufacturer recommends to fix the machine to the base of height 18 cm for easier manipulation with the linen.

WATER CONNECTION:

The washer is equipped with 3/4" valves for watering of cold (soft and hard) and warm water. The all valves have to be connected for right function of washer. The filling valves (3/4") are part of machine. The pressure hoses with seal are part of delivery. Stop valves (3/4") have to be on supply line.

DRAIN CONNECTION:

The drain has to be connected to the waste channel. You can use the elbow, which is part of the delivery. The waste channel must be located lower than the drain pipes because the water discharges from the machines by gravity. Do not reduce the diameter of the machine drain pipes. Put the stench trap in drain pipe. The main drain pipe must have the capacity to be able to handle the total output of all connected machines (18kg washer - 106 l/min; 22kg washer - 134 l/min).

LEGEND:

1. Electronic programmer
2. Door handle
3. Name plate
4. Main switch
5. Power supply
6. Cold soft water inlet
7. Cold hard water inlet
8. Warm water inlet
9. Steam inlet
10. Drain outlet
11. Soap hopper
12. Plugs of holes for external dosing hoses
13. Bushing of external dosing pumps
14. Ventilation
15. External protective clamp

TECHNICAL SPECIFICATION

Type:	RS 18	RS 22
Capacity: load ratio 1:10	18 kg / 40 lb	22 kg / 50 lb
Inner drum dimension: diameter	700 mm / 27.6"	700 mm / 27.6"
depth	470 mm / 18.5"	565 mm / 22.4"
Drum volume	181 dm ³ / 47.8 gal	217 dm ³ / 57.3 gal
Drum revolutions: wash	44 rpm	44 rpm
extraction	505 rpm	480 rpm
G-factor: extraction	100	90
Machine dimensions (max): width	855 mm / 33.7"	855 mm / 33.7"
depth	900 mm / 35.4"	995 mm / 39.2"
height	1315 mm / 51.8"	1315 mm / 51.8"
Weight netto	280 kg / 617 lbs	280 kg / 617 lbs
brutto	290 kg / 639 lbs	300 kg / 661 lbs
Machine electrical execution:	E: 3x380-415V+N 50Hz S: 1x220-240V 50Hz (can be connected to 3x380-415V 50Hz)	
Rated motor power:	1.5 kW	1.5 kW
Rated heating power input (E version):	12 kW	18 kW
Rated input power of the machine	E: 13.6 kW S: 1.6 kW	E: 19.6 kW S: 1.6 kW
Power supply protection: with electrical heating:	12kW/3AC 400V/32A	18kW/3AC 400V/40A
without heating:	1AC 230V/16A	1AC 230V/16A
Motor overloading protection:	electronic protection by the frequency inverter	
Conductors section:	E: 5 x 4 mm ² Cu S: 3 x 2.5 mm ² Cu	E: 5 x 6 mm ² Cu S: 3 x 2.5 mm ² Cu
Water connections: water pressure	0.2÷0.8 MPa / 29÷116 psi	0.2÷0.8 MPa / 29÷116 psi
water connection	3x 3/4"	3x 3/4"
drain connection	Ø76 mm / 3"	Ø76 mm / 3"
Version with steam heating (S): steam connection	1/2"	1/2"
steam pressure	0.3÷0.7 MPa / 45÷100 psi	0.3÷0.7 MPa / 45÷100 psi
average steam consumption:	18 kg/cycle	22 kg/cycle
maximum steam consumption:	0.021 kg/sec	0.025 kg/sec
Number of soaphoppers:	3	3
Connections to liquid detergents:	5	5
Max. static load (kg) (with textile and water)	3.1 kN	3.2 kN
Max. dynamic load (kg) (intermittent vibrations)	8.9 kN	9.6 kN
Frequency of dynamic load (Hz)	8.42 Hz	8 Hz
Mounting bolts:	6x M16x160	6x M16x160

primus	RS18 RS22	Datum:	05.07	No.	01-203-2 01-204-2
		Autor:	RJ	Index/datum	C/07.2008
WASHER - EXTRACTOR					