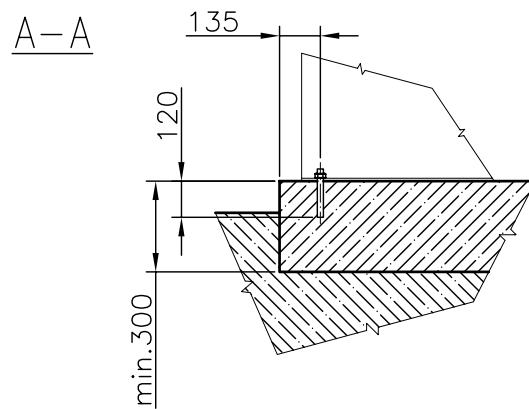
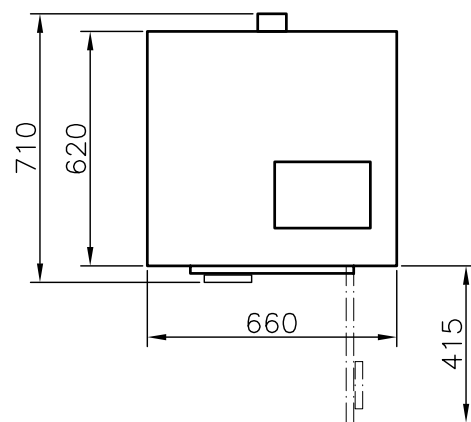


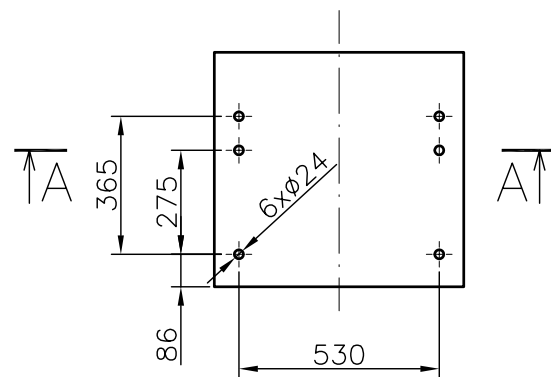
LEGEND:

1. Electronic programmer
2. Door handle
3. Name plate
4. Main switch
5. Power supply
6. Cold soft water inlet
7. Cold hard water inlet
8. Warm water inlet
9. Steam inlet
10. Drain outlet
11. Soap hopper
12. Plugs of holes for external dosing hoses
13. Bushing of external dosing pumps
14. Ventilation
15. External protective clamp



The machine must be fixed to the floor which complies with static and dynamic machine stress. The machine must be fixed to a concrete socle by bolts.

ANCHORING:



WATER CONNECTION:

The washer is equipped with 3/4" valves for watering of cold (soft and hard) and warm water. The all valves have to be connected for right function of washer. The filling valves (3/4") are part of machine. The pressure hoses with seal are part of delivery. Stop valves (3/4") have to be on supply line.

DRAIN CONNECTION:

The drain has to be connected to the waste channel. You can use the elbow, which is part of the delivery. The waste channel must be located lower than the drain pipes because the water discharges from the machines by gravity. Do not reduce the diameter of the machine drain pipes. Put the stench trap in drain pipe. The main drain pipe must have the capacity to be able to handle the total output of all connected machines (6kg washer - 34 l/min; 7kg washer - 44 l/min).

TECHNICAL SPECIFICATION

Type:	RS 6	RS 7
Capacity:	6 kg / 15 lb	7 kg / 18 lb
load ratio 1:10		
inner drum dimension:		
diameter	530 mm / 21"	530 mm / 21"
depth	270 mm / 10.6"	330 mm / 13"
Drum volume	60 dm ³ / 15.8 gal	73 dm ³ / 19.3 gal
Drum revolutions:		
wash		48 rpm
extraction		580 rpm
G-factor:		
extraction		100
Machine dimensions (max):		
width	660 mm / 26"	
depth	710 mm / 28"	
height	1045 mm / 41.1"	
Weight		
netto	140 kg / 309 lbs	
brutto	145 kg / 320 lbs	
Machine electrical execution:	E: 3x380-415V+N 50Hz S: 1x220-240V 50Hz (can be connected to 3x380-415V 50Hz)	
Rated motor power:	0.6 kW	
Rated heating power input (E version):	6 kW	
Rated input power of the machine	E: 6.7 kW S: 0.7 kW	
Power supply protection:		
with electrical heating:	6kW/3AC 400V/16A	
without heating:	1AC 230V/10A	
Motor overloading protection:	electronic protection by the frequency inverter	
Conductors section:	E: 5 x 2.5 mm ² Cu S: 3 x 1.5 mm ² Cu	
Water connections:		
water pressure	0.2÷0.8 MPa / 29÷116 psi	
water connection	3x 3/4"	
drain connection	Ø76 mm / 3"	
Version with steam heating (S):		
steam connection	1/2"	
steam pressure	0.3÷0.8 MPa / 45÷116 psi	
average steam consumption:	6kg/cycle / 13.2lbs/cycle	7kg/cycle / 15.4lbs/cycle
maximum steam consumption:	0.01kg/sec / 0.02lbs/sec	0.01kg/sec / 0.02lbs/sec
Number of soapheppers:	3	
Connections to liquid detergents:	5	
Max. static load (kg) (with textile and water)	1.7 kN	
Max. dynamic load (kg) (intermittent vibrations)	3.6 kN	
Frequency of dynamic load (Hz)	9.67 Hz	
Mounting bolts:	6x M16x160	

primus	RS6 RS7	Datum:	05.07	No.	01-200-2
		Autor:	RJ	Index/datum	C/07.2008
WASHER - EXTRACTOR					