

Installation manual

Tumble dryers

T4250, T4350

Type N2...

Selecta Control

Thinking of you

 **Electrolux**

Contents

Contents

The front of the dryer	4
Safety precautions	5
Technical data	7
Setup	11
Unpacking	11
Installation	13
Mechanical installation	13
Reversing door	14
Installation on board a ship	18
Evacuation system	19
Air principle.....	19
Fresh-air	19
Exhaust duct.....	20
Outlet dimensioning.....	22
Adjusting the dryer	24
Steam installation.....	25
Gas installation.....	29
Converting instructions to another gas type.....	30
Electric installation	35
Function check	39
Dimension sketch – Adapter for direct fresh-air intake	41

The manufacturer reserves the right to make changes to design and component specifications.

The front of the dryer

Affix the enclosed sign on the front of the dryer



CAUTION! Remove clothes from dryer as soon as it stops.
This keeps wrinkles from setting in and reduces
the possibility of spontaneous combustion

487 01 29 00-01

487 01 29 00

Safety Precautions



Safety Precautions



Do not dry unwashed items in the machine

The machine is not to be used if industrial chemicals have been used for cleaning.

Do not allow minors to use the machine.

Do not hose down the machine with water.

The machine's door lock must under no circumstances be bypassed.

Items that have been soiled with substances such as cooking oil, acetone, alcohol, petrol, kerosene, spot removers, turpentine, waxes and wax removers should be washed in hot water with an extra amount of detergent before being dried in the machine.

Items such as foam rubber (latex foam), shower caps, waterproof textiles, rubber backed articles and clothes or pillows fitted with foam rubber pads should not be dried in the machine.

Fabric softeners or similar products should be used as specified by the fabric softener instructions.

The machine may not be used to dry floor mops that contain polypropylene.

The final part of a drying cycle occurs without heat (cool down cycle) to ensure that the items are left at a temperature that ensures that the items will not be damaged.

WARNING. Never stop the machine before the end of the drying cycle unless all items are quickly removed and spread out so that the heat is dissipated.

Remove garments from the machine as soon as they are dried. This prevents them from becoming creased and reduces the risk of spontaneous ignition.

If the machine develops a fault, this must be reported to the person in charge as soon as possible. This is important both for your safety and that of others.

The machine must not be located where a door, sliding door, etc., can block the machine's door

The machine is not intended to be used by people (including minors) with reduced physical or mental capacity or lack of experience and knowledge. Such people must be instructed in the use of the machine by a person who has responsibility for their safety. Minors must be supervised to ensure that they do not play with the machine.

Adequate ventilation has to be provided to avoid the back flow of gases into the room for appliances burning other fuels, including open fires.

Gas heated tumble dryer:

The machine is not to be installed in rooms containing cleaning machines with perchloroethylene, TRICHLOROETHYLENE or CHLOROFLUOROCONTAINING HYDROCARBONS as cleaning agents.

If you can smell gas,

- **Do not switch on any equipment**
- **Do not use electrical switches**
- **Do not use telephones in the building**
- **Evacuate the room, building or area**
- **Contact the person responsible for the machine**

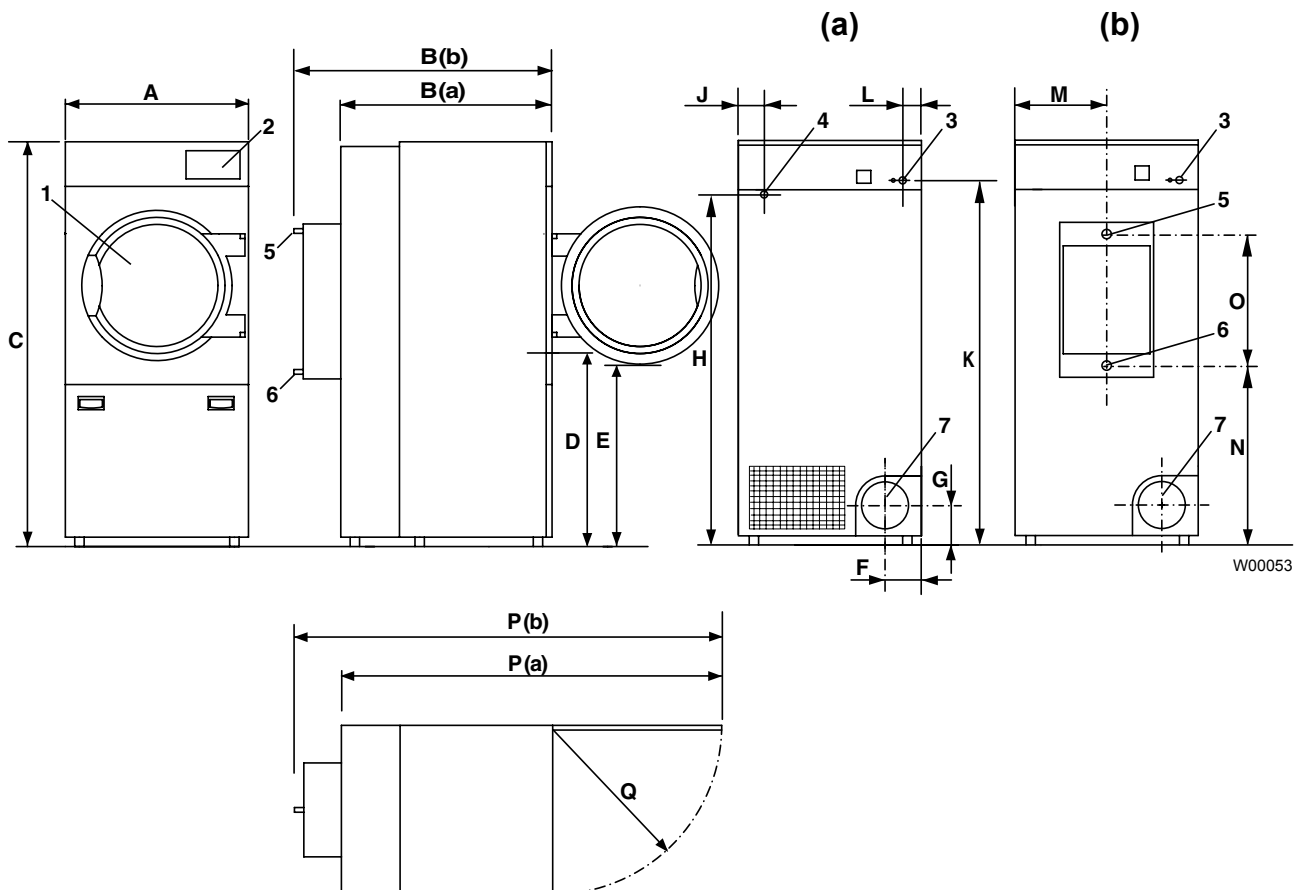


In order to prevent damage to the electronics (and other parts) that may occur as the result of condensation, the machine should be placed in room temperature for 24 hours before being used for the first time.

(a)	Electric and gas heating
(b)	Steam heating
1	Door opening = Ø 580
2	Operating panel
3	Electric connection
4	Gas connection
5	Steam: in
6	Steam: out
7	Pipe connection, evacuation

	A	B (a)	B (b)	C	D	E	F	G	H	J	K	L	M	N	O
T4250	790	900	1100	1720	860	790	155	170	1505	100	1565	80	395	755	585
T4350	790	1120	1320	1720	860	790	155	170	1505	100	1565	80	395	755	585

	P (a)	P (b)	Q
T4250	1620	1820	740
T4350	1860	2040	740



Technical data T4250

		Electric	Gas	Steam
Drum volume	litres	250	250	250
Weight net	kg	161	161	176
Drum				
diameter	mm	760	760	760
depth	mm	550	550	550
revolutions per minute	rpm	45	45	45
Capacity, max	kg	12.5	12.5	12.5
Heat effect	kW	9/13.5	13.5	*
Air consumption				
Heat effect 9 kW	m ³ /h	360	-	-
Heat effect 13.5 kW	m ³ /h	600	600	-
Steam heating	m ³ /h	-	-	1000
Piping evacuation	Ø	200	200	200
Piping steam				
Steam in		-	-	ISO 7/1-R1
Steam out		-	-	ISO 7/1-R1
Max. counter-pressure				
Heat effect 9 kW	Pa	650	-	-
Heat effect 13.5 kW	Pa	520	520	-
Steam heating	Pa	-	-	270
Gas piping		-	ISO 7/1-R1/2	-
Gas pressure		-	**	-
Sound pressure level	dB (A)	< 70	< 70	< 70

* Depending on steam pressure

** See page regarding pressure

Technical data T4350

		Electric	Gas	Steam
Drum volume	litres	349	349	349
Weight net	kg	169	169	184
Drum				
diameter	mm	760	760	760
depth	mm	770	770	770
revolutions per minute	rpm	45	45	45
Capacity, max	kg	17.5	17.5	17.5
Heat effect	kW	13.5/18	21	*
Air consumption				
Heat effect 13.5 kW	m ³ /h	600	-	-
Heat effect 18 kW	m ³ /h	1000	-	-
Heat effect 21 kW	m ³ /h	-	1000	-
Steam heating	m ³ /h	-	-	1000
Piping evacuation	Ø	200	200	200
Piping steam				
Steam in		-	-	ISO 7/1-R1
Steam out		-	-	ISO 7/1-R1
Max. counter-pressure				
Heat effect 13.5 kW	Pa	520	-	-
Heat effect 18 kW	Pa	270	-	-
Heat effect 21 kW	Pa	-	270	-
Steam heating	Pa	-	-	270
Gas piping		-	ISO 7/1-R1/2	-
Gas pressure		-	**	-
Sound pressure level	dB (A)	< 70	< 70	< 70

* Depending on steam pressure

** See page regarding pressure

Motor specifications

			T4250, T4350
Dryer with reversal			
Blower motor 3-phase			
Effect	kW		0.75
Revolutions per minute 50 Hz	rpm		2700
Revolutions per minute 60 Hz	rpm		3200
Drum motor 3-phase			
Effect	kW		0.52
Revolutions per minute 50 Hz	rpm		2700
Revolutions per minute 60 Hz	rpm		3300
Dryer without reversal			
Drum / blower motor 1-phase			
Effect	kW		1.0
Revolutions per minute 50 Hz	rpm		2700
Revolutions per minute 60 Hz	rpm		3200
Drum / blower motor 3-phase			
Effect	kW		0.75
Revolutions per minute 50 Hz	rpm		2700
Revolutions per minute 60 Hz	rpm		3200

Setup

Unpacking

When unpacking the machine, handle it with care.
The drum has no transport clamps.

Fastened to the pallet

The dryer is fastened to the pallet by two bolts.
Open the filter drawer and then remove the front bolt.
Remove the back plate and then remove the back bolt.

Tumbler type 4250

- ① From factory the dryer is equipped with 4 supporting feet (a).
Dryer type 4250 must be installed with all 6 supporting feet mounted (a+b).
The last 2 feet (b) are temporarily mounted at the bottom on the back of the back cover. Unscrew the feet and carefully tilt the dryer forward and then demount the 2 feet (b).
The last 2 feet are mounted in order to stabilize the machine.

Tumbler type 4350

- ① From factory the dryer is equipped with 4 supporting feet (a).

Positioning

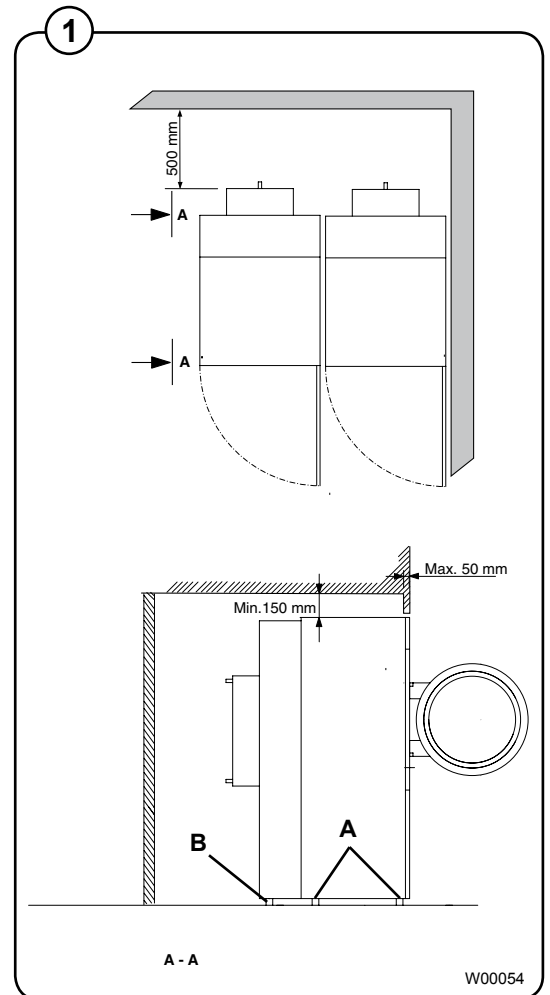
- ① Place the tumble dryer in such a way that work can be done as easily as possible by the user and the service technician alike.

The distance to the wall or other equipment behind the dryer should be min. 500 mm.

Apart from the minimum distances shown on fig. 1 there are no further requirements to the distance around the dryer.

However, there should be free access to the back of the dryer for the purpose of servicing it.

The door hanging can be changed.



Installation

Mechanical installation

Dryer type 4250

- ① Adjust the dryer to ensure that it is horizontal and stands firmly on all six feet.

The maximum height adjustment of the feet is 15 mm.

Dryer type 4350

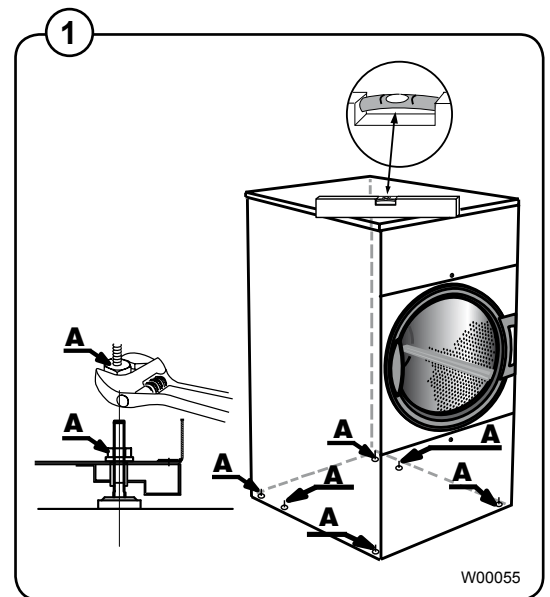
Adjust the dryer to ensure that it is horizontal and stands firmly on all 4 feet.

The maximum height adjustment of the feet is 15 mm.

The feet must be locked

Bearing in mind the stability of the feet, it is important to lock the tumble dryer's feet with nuts A.

After adjusting, reinstall the panels.



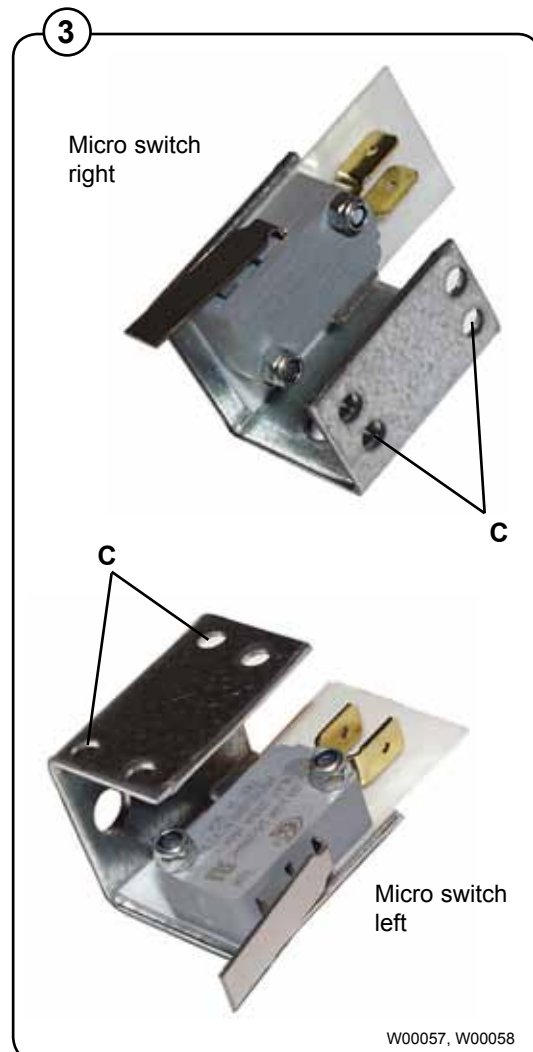
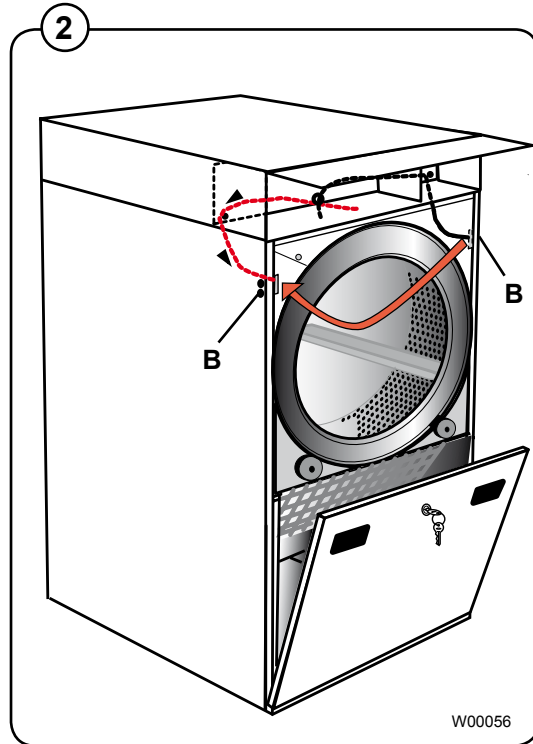
Up to machine No. T4250 -4250/101239
T4350 -4350/100824

Reversing door

The loading door is reversible if it does not open to the desired side.

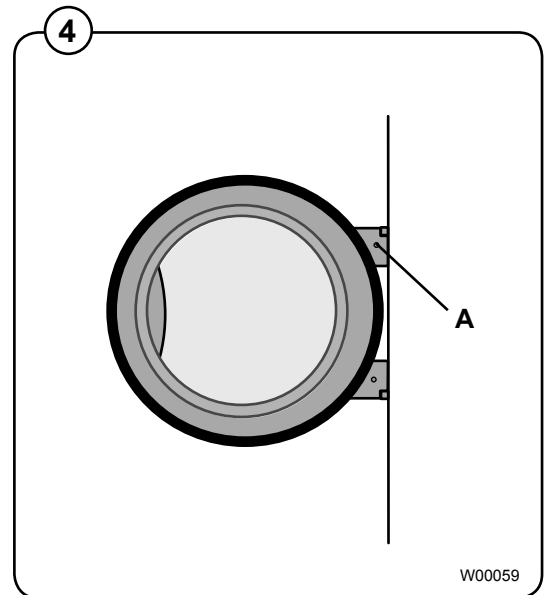
Reversing

1. Disconnect the power supply to the dryer.
2. Open the operating panel.
3. Demount the filter door.
4. Unscrew the door and the front panel.
5. Unscrew the cover plate.
6. Demount the micro switch with fittings.
7. Squeeze out the black strip which is mounted in the back plate of the component unit
8. Run the cables including the black strip behind the back plate and across the drum.
- ② 9. The black strip **must** be mounted in the hole on the opposite side.
- ③ 10. Unscrew the micro switch holder. Unscrew the micro switch from the holder, reverse it and mount it in the holder in the same order as before.
11. Move dummy plugs **B** in the side panel to the opposite side.
12. Mount holder with micro switch on the opposite side, use holes **C**.
13. Move speed nuts to the opposite side.
14. Mount the cover plate.
15. Check that all 4 terminal strips are mounted on the casing.
16. Reverse the front panel and the door and then mount them.
Check that the felt joint is in good condition.
17. Close the operating panel and mount the filter door.
18. Unscrew the door pin and move it to position **A**.



Test the door

1. Connect the power supply.
2. Start the tumble dryer.
- ④ 3. If the dryer does not start when the door is closed, adjust the door pin **A**.
4. Check that the micro switch on the door works correctly:
The drum, ventilator and heat should stop when the front door is opened max. 40 mm.



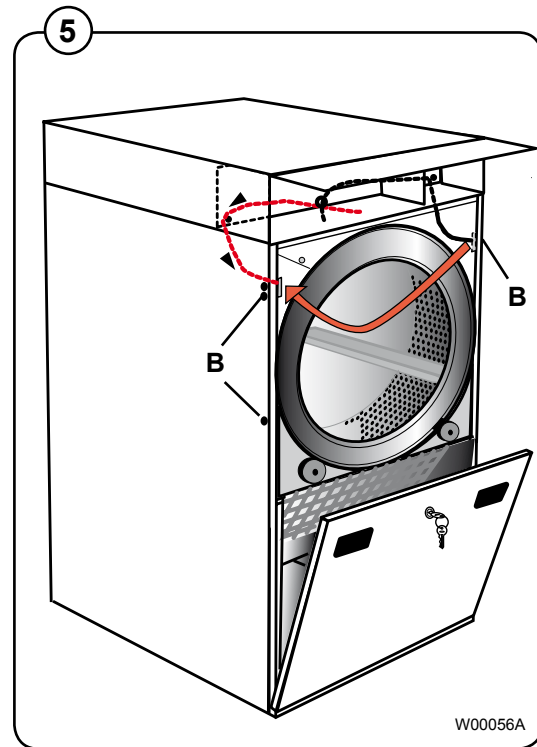
From machine No. T4250 4250/101240–
T4350 4350/100825–

Reversing door

The loading door is reversible if it does not open to the desired side.

Reversing

1. Disconnect the power supply to the dryer.
 2. Open the operating panel.
 3. Demount the filter door.
 4. Unscrew the door and the front panel.
 5. Unscrew the cover plate.
 6. Demount the magnetic switch with fittings.
 7. Squeeze out the black strip which is mounted in the back plate of the component unit
 8. Run the cables including the black strip behind the back plate and across the drum.
 9. The black strip **must** be mounted in the hole on the opposite side.
 10. Unscrew the magnetic switch holder.
 11. Move dummy plugs **B** in the side panel to the opposite side.
 12. Mount holder with magnetic switch on the opposite side, use holes **C**.
- Note!** When turning the bracket the wires are facing downwards. Lead them upwards towards the operating panel and fasten them with cable strips.
13. Move speed nuts to the opposite side.
 14. Mount the cover plate.
 15. Check that all 4 terminal strips are mounted on the casing.
 16. Reverse the front panel and the door and then mount them.
Check that the felt joint is in good condition.
 17. Close the operating panel and mount the filter door.



Test run

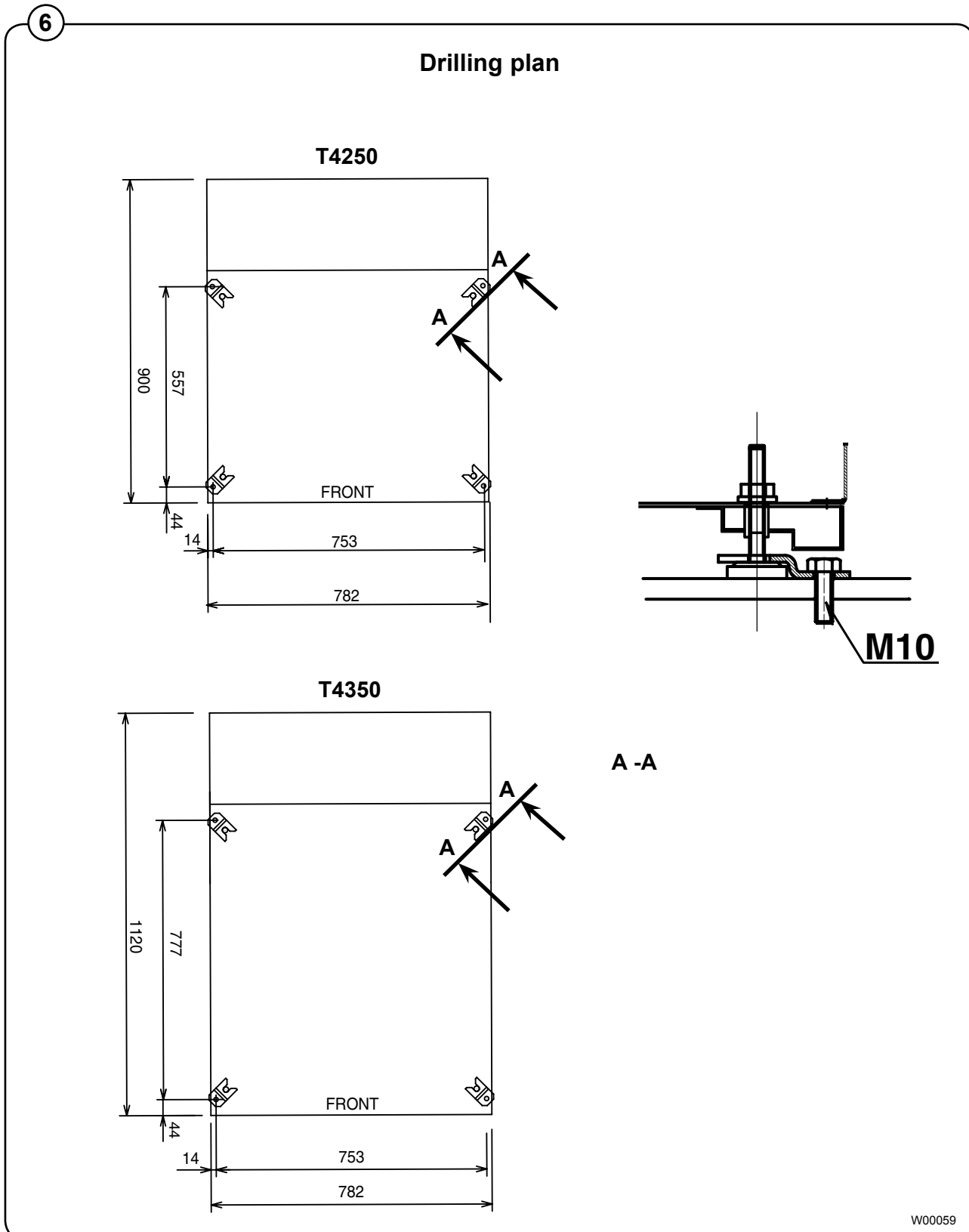
Check for proper operation of the door switch, as follows:

1. Re-connect the power supply to the dryer
2. Attempt to start the dryer with the door open. It must not start.
3. Close the door and start the machine. Open the door. The dryer must stop.

If the dryer starts with the door open, or fails to stop when the door is opened during operation, repair or replace the door switch, as necessary.

Installation on board a ship

- ⑥ The four accompanying fittings are fastened to the foundation by means of 4 x M10 set screws.



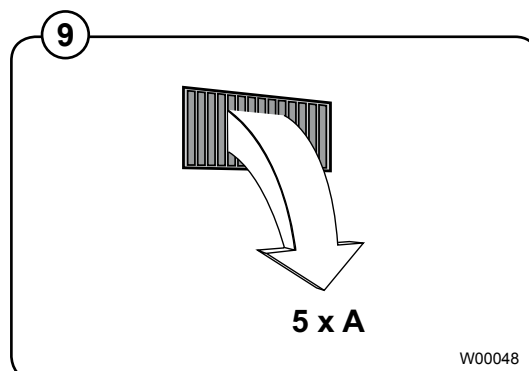
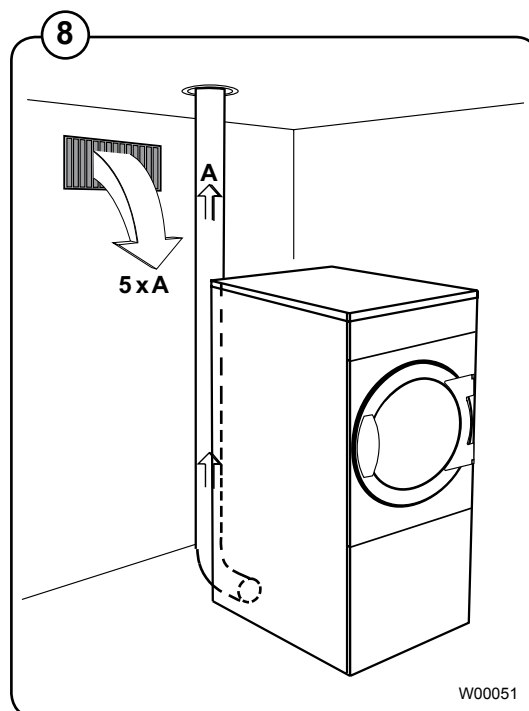
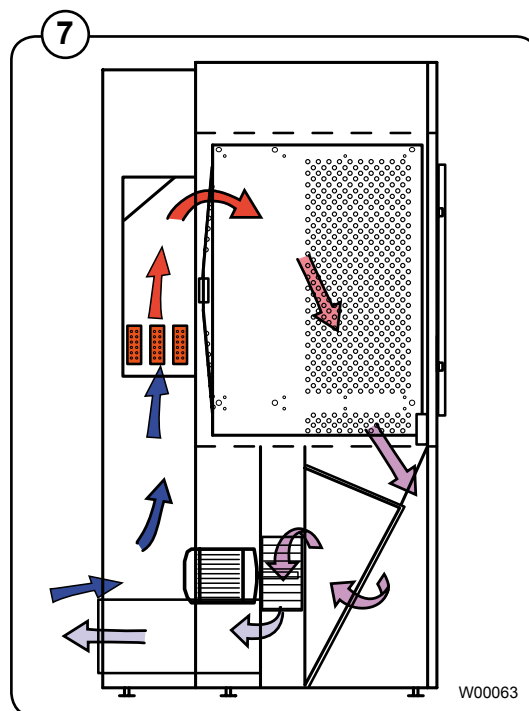
Evacuation system

Air principle

- 7 The ventilator creates low pressure in the dryer, drawing air into the drum via the heating unit. The heated air passes through the garments and the drum vents.
- Then the air flows out through a lint filter positioned immediately in front of the ventilator. After this, the air is evacuated through the ventilator and evacuation system.
- It is very important that the dryer gets enough fresh air, see next section.

Fresh-air

- 8 For maximum efficiency and the shortest possible drying time, it is important to ensure that fresh air is able to enter the room from the outside in the same volume as that blown out of the room.
- 9 To avoid a draught in the room, it is advisable to place the air inlet behind the dryer. The area* of the air inlet opening must be 5 times the size of the vent pipe area.
- The resistance in the grating/slats on the air inlet cover plate should not exceed 10 Pa (0.1 mbar).
- *The area of the inlet opening is the area through which the air can flow without resistance from grating/slatted cover.
- Note** that gratings/slatted covers often block half of the total fresh air vent area. Remember to take this into account.



Exhaust duct

- The exhaust duct must be smooth on the inside (low air resistance).
- The exhaust duct must lead to the outdoors.
- The exhaust duct must lead clear of the building as condensation may cause frost damage to the building.
- The exhaust duct must be protected against rain and foreign objects.
- ⑩ • The exhaust duct must have gentle bends.
- The exhaust duct must not be a shared duct between dryers and appliances using gas or other fuels as their energy source.

When several dryers share an exhaust duct

- ⑪ • The exhaust duct diameter must increase after each dryer.
The table below shows the exhaust duct diameter and the necessary fresh-air inlet area.

Note! It is recommended that each dryer is connected to a separate exhaust duct.

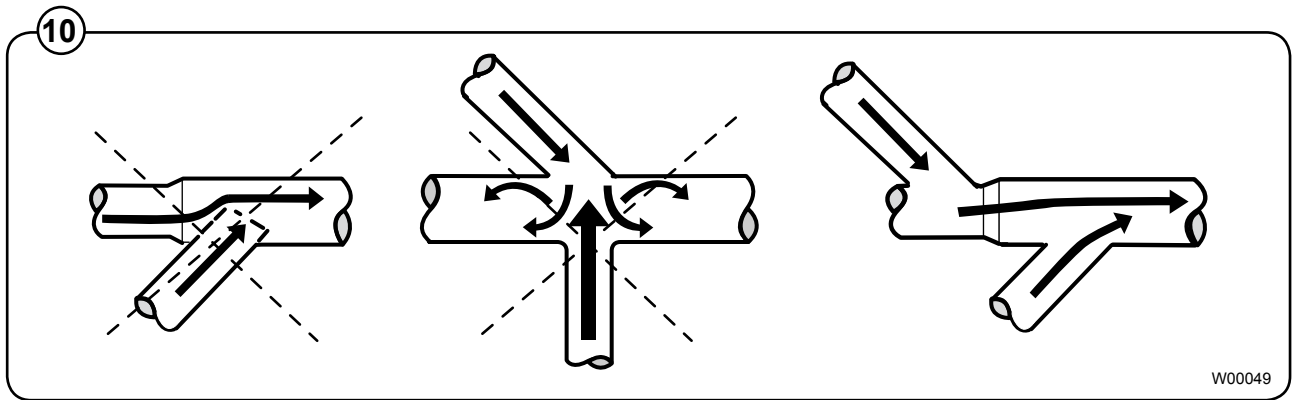


The evacuation pipe diameter must not be reduced.

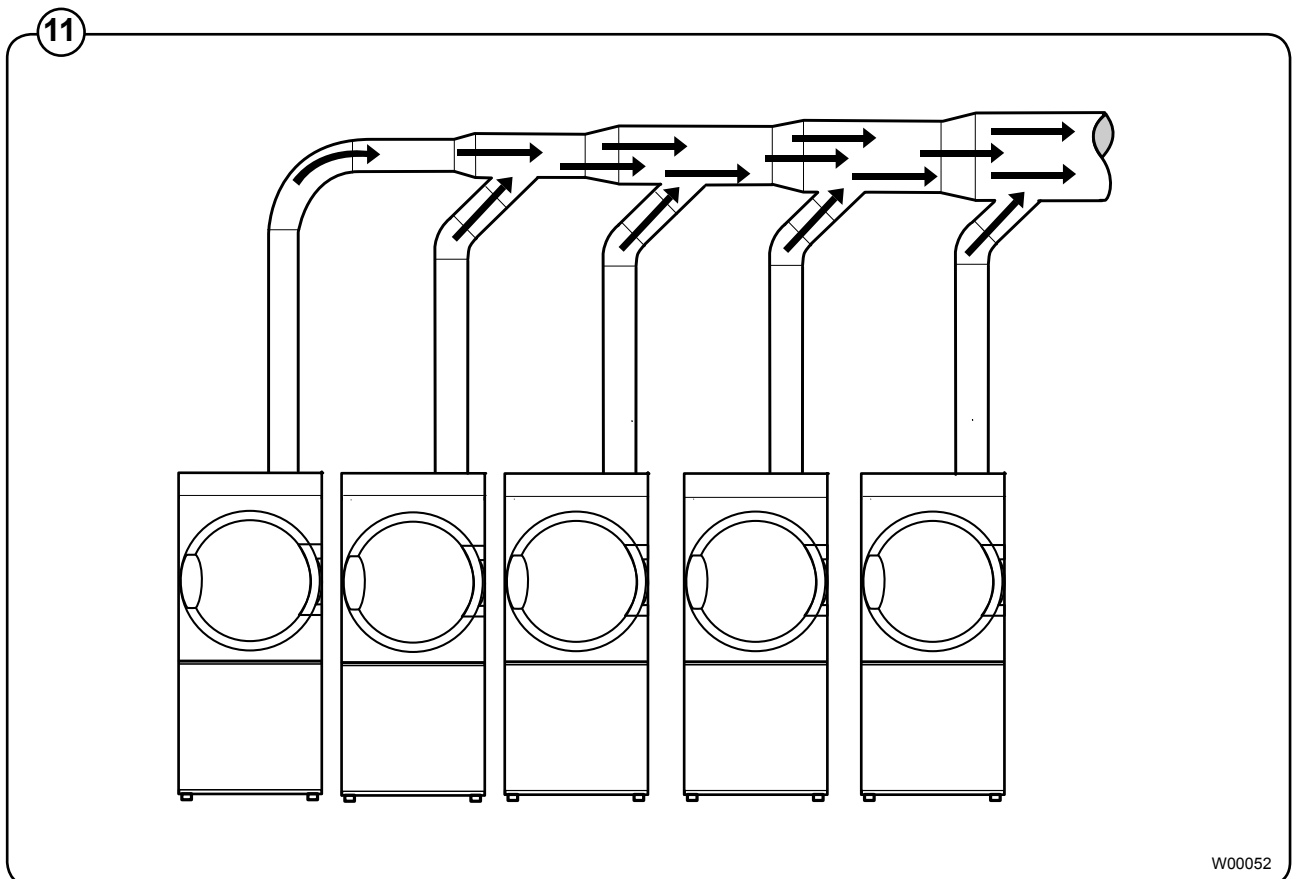
No. of dryers	1	2	3	4	5	6	7	8	9	10
Air outlet pipe diameter in mm	200	280	315	355	400	450	475	500	535	560
Required area of fresh-air inlet m ²	0.15	0.30	0.45	0.60	0.75	0.90	1.05	1.20	1.35	1.50

Each dryer requires a 400 x 400 mm fresh-air inlet opening.

Gentle bends



Several dryers share an exhaust duct



Outlet dimensioning

It is important that the dryer has the correct air volume compared to each dryer's effect.

If the air volume is smaller or larger this will result in a longer drying period.

Table with air volume and dryer effect

Minimum air volume

If the outlet air volume gets below the minimum air volume the microprocessor will report an error and error code **E15** will be displayed.

Type	Effect kW	Minimum air volume m ³ /h	Optimum air volume m ³ /h
4250	6/9	260	360
4250	13.5	260	600
4350	13.5	260	600
4350	18	620	1000
4350	21	620	1000
4250/4350	**	-	1000

** Steam heated

Air volume control

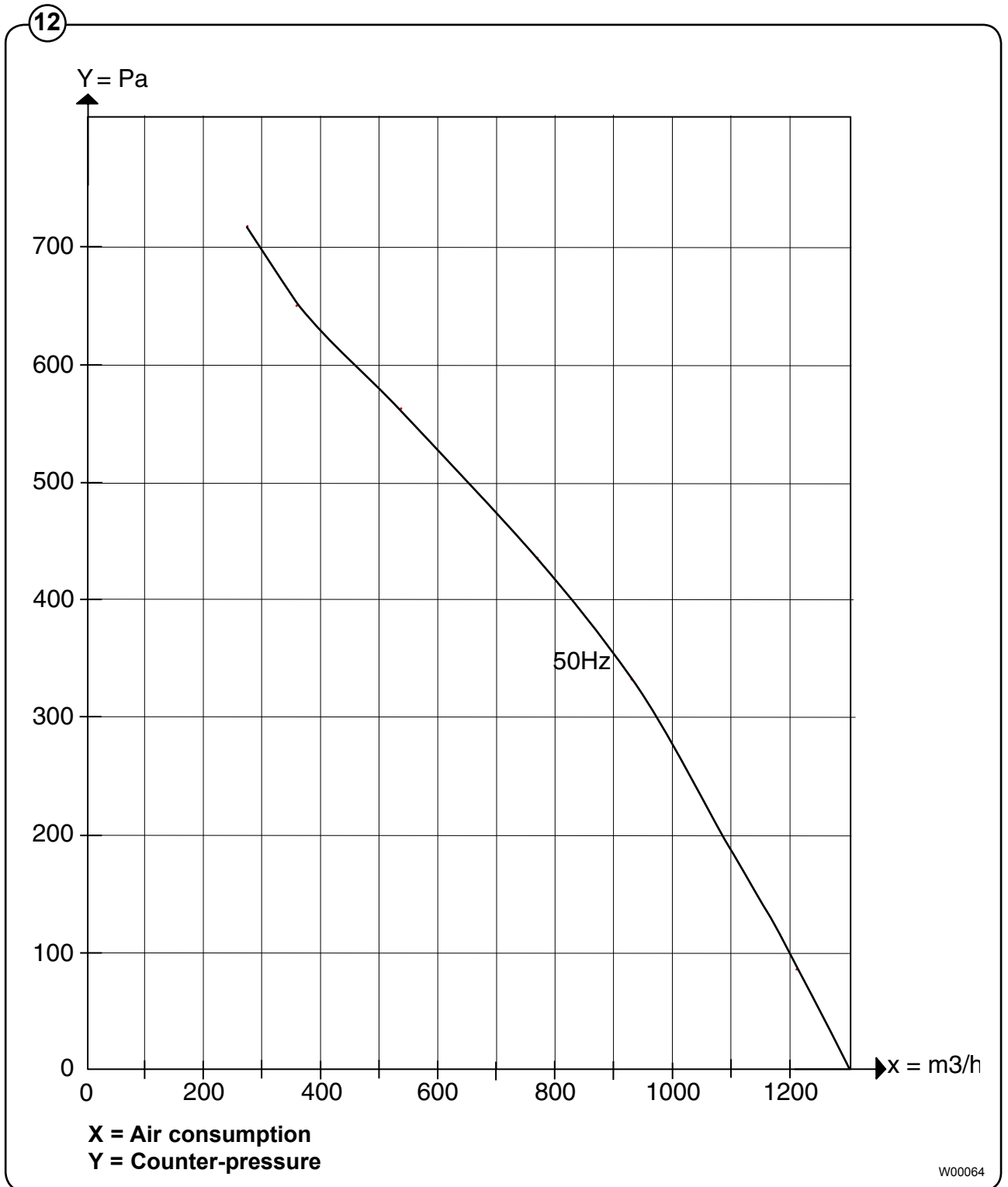
Example:

A dryer type 4350 with a 13.5 kW effect must have an optimum air volume of 600 m³/h.

1. The specified air volume of 600 m³/h from column 2 is marked on the x-axis in the diagram on the following page.
2. Draw a vertical line from this point on the x-axis till it intersects the pressure drop curve.
3. From this point draw a horizontal line till it intersects the y-axis.
4. On the y-axis read the corresponding counter-pressure measured in Pa.

By means of this pressure and the specified air volume the vent pipe can now be dimensioned.

Diagram with pressure drop curve type T4250 / T4350



Service organisation/dealer

If you have questions relating to the design of the exhaust system, please contact your local dealer or service organisation.

Adjusting the dryer

The dryer is adjusted by dismantling the back plate and measuring the static pressure behind the fan.

- 13 Drill a $\varnothing 3.3\text{mm}$ hole **A** if there is not already one.

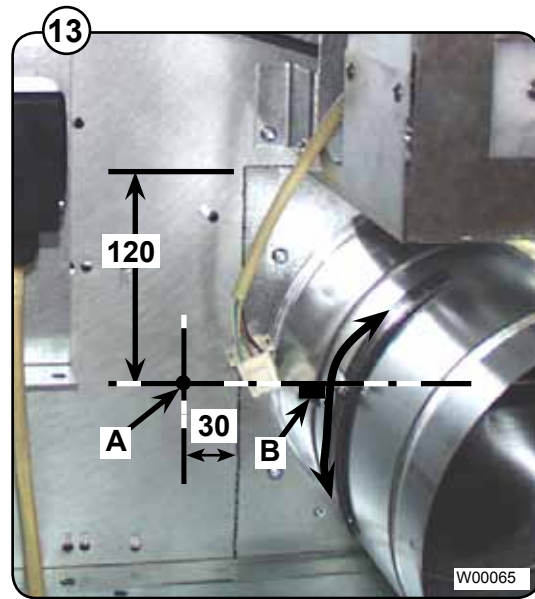
The measuring is done on a no-heat program, without clothes in the dryer and with the back plate being dismantled.

By opening / closing the damper **B** the static pressure at **A** is either lowered or raised.

Table with static pressure

The optimum air volume is achieved if the pressure is adjusted according to the table below.

After the measuring is done screw the screw into the hole.



Type	Effect kW	Static pressure Pa
4250	6/9	760*
4250	13.5	660
4350	13.5	660
4350	18	435
4350	21	435
4250/4350	**	435

** Steam heated

* It can be difficult to obtain a static pressure of 760 Pa if the vent pipes are very short. In these cases the damper must be closed as much as possible.

Note! The static pressures in this table are not to be mistaken for the counter-pressure from the pressure drop curve.

Steam installation

Before start

The steam pipe must be cut off and must not be under pressure.

Steam

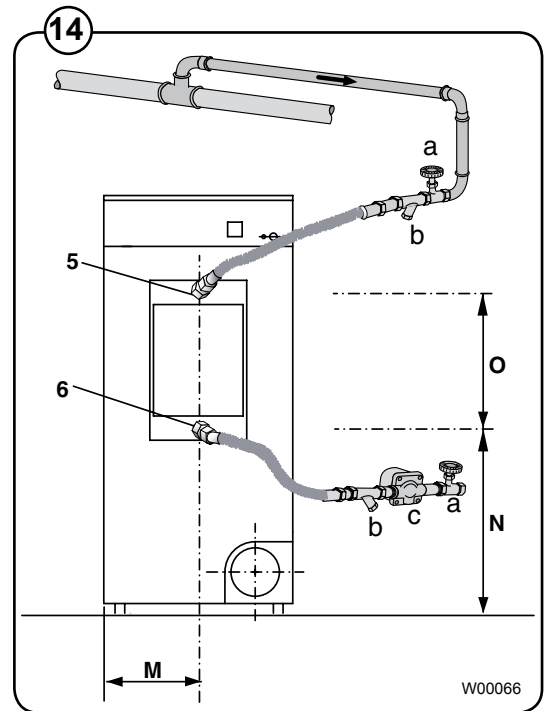
Steam 3-10 bar absolute pressure (130- 180°C).

Steam forward

- 14 1. The branch pipe's branch must be located at the top of the main steam pipe to prevent condensation in the steam.
2. The branch pipe must have a descending gradient and must end at a height above the inlet connecting branch (5). For measurements M, N and O, please see dimension sketch page 7.
3. Mount a plug valve (a) and a dirt collector (b) in the branch pipe.

Condensation return

- 14 1. It is important that the branch pipe for condensed water on return to the main condensate pipe has a descending gradient and is lower than the outlet connecting branch (6).
2. Mount a dirt collector (b) in the return pipe.
3. Mount a mechanical water discharger behind the dirt collector (c).
4. Then mount a plug valve (a).
5. Mount pressure hoses between branch pipes and dryer (hoses are not supplied).



Steam-heated dryer

Mounting steam calorifier on dryer

Dryer type 4250:

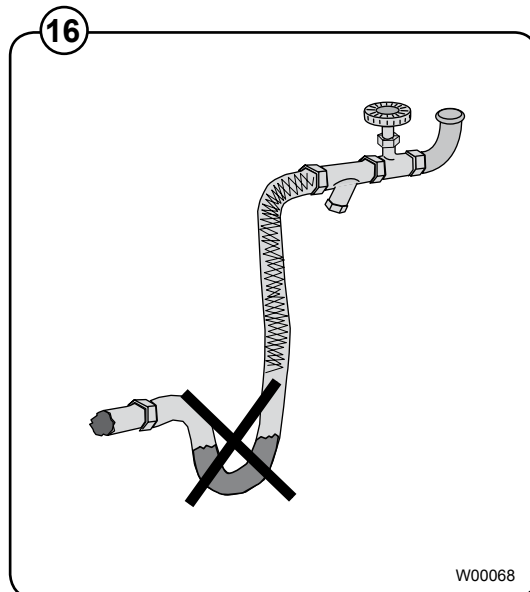
The steam calorifier is on the pallet.

Dryer type 4350:

The steam calorifier is in the drum.

1. Unpack the calorifier.
2. Demount top back plate on the dryer.
3. Demount supporting rail on the dryer, see arrow (note which way the supporting rail turns as it has to be remounted the same way, see step 5).
4. Hang the calorifier on the bottom supporting rail on the dryer.
5. Hold the calorifier towards the dryer and remount the supporting rail as before making sure that it grasps the calorifier.
6. Screw the screws into the supporting rail. During the tightening process it is important to keep the dryer and the calorifier together. Note! After mounting the calorifier there must be no space between the dryer and the calorifier.
7. Mount back plate.
8. Attach the pressure hoses to the dryer's inlet and outlet connecting branches. It is important to support the inlet and the outlet connecting branches in order to prevent deformation.

- 16 The pressure hoses must not hang down.



Leak test

1. Leak test the system.
2. Clean the dirt collectors (b), see the previous page.

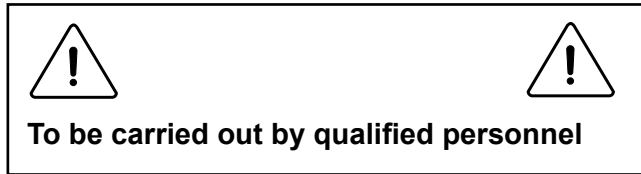
Function check

The function check is described in the back of this manual.

Pipe insulation

All pipes must be insulated in order to reduce risk of burning. Insulation also reduces loss of heat to the surroundings.

Gas installation



Mount a shut-off valve upstream from the dryer.

The gas connection to the dryer should be dimensioned to an output of 13.5 kW / 21 kW dependent upon the kW-rating of the dryer.

The factory nozzle pressure setting corresponds to the fuel value given on the name plate.

Check that the nozzle pressure and fuel value agree with the values given in the table. If not, contact the supplier.

Bleed the pipe system before connecting the dryer.

After connection, test all joints for leaks.

Converting instructions to another gas type

Before installing the dryer affix the label "Read the user instructions" to the inside of the door, see pictures below.

The label must have the correct country code - choose the correct label from the kit.



GB, IE

Read the technical instructions before installing the appliance.

Read the user instructions before lighting the appliance.

This appliance may only be installed in a room if the room meets the appropriate ventilation requirements specified in the national installation regulations.

487229348.00

Table of pressure and adjustment

This gas appliance has been build to run on natural gas group I2H and I2E(LL), commonly identified by GNH.

The data label shows the injector size and the injector pressure and the countries that use this gas quality: DK, NO, SE, FI, CH, CZ, EE, LT, SL, TR, BG, RO, GB, ES, GR, IE, IT, PT, AT, LV, HU, IS, SK, DE, PL, LU and non-European countries.

Before connecting the appliance please make sure that the supplied gas type is correct.

Following gas conversions are possible:

1. Appliances to be installed to run on GNH or GNL in FR, BE: I2E+
2. Appliances to be installed in NL, parts of DE and Non-European countries: I2L.
3. Appliances to be installed to run on LPG in: DK, NO, SE, FI, EE, LT, SL, TR, DE, NL, CH, CZ, HU, GR, MT, CY, LV, SK, LU, BG and Non-European countries: I3B/P .
4. Appliances to be installed to run on LPG in: GB, ES, GR, IE, IT, PT, CH, CZ, BE, FR, CY, EE, LV, LT, LU, RO: I3+ .
5. Appliances to be installed to run on LPG in: AT: I3B/P (50 mbar) inlet pressure.
6. Appliances to be installed to run on LPG in: PL: I3B/P (36 mbar) inlet pressure.

1

T4250

Gas group	Injector size Ø mm (1)	Air reducing plate	Inlet pres- sure (mbar)	Injector pressure (mbar)	Label no. (fig. 7)
I2H, I2E(LL)	3.1	NONE	20	10	DEFAULT
I2E+	2.6	NONE	20/25	20/25	487266713
I2L (LL)	3.1	NONE	20 OR 25	15	487266713
I3B/P, I3+	1.8	NONE	30, 28/37	30, 28/37	487266711
I3B/P (37)	1.75	NONE	37	37	487266712
I3B/P (50)	1.8	NONE	50	30	487266712

2

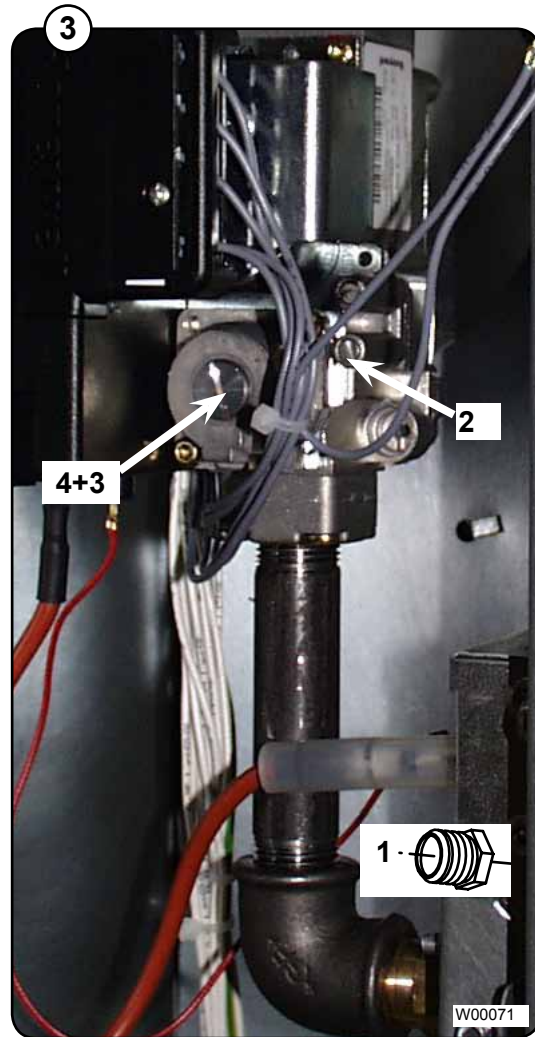
T4350

Gas group	Injector size Ø mm (1)	Air reducing plate (fig. 6)	Inlet pres- sure (mbar)	Injector pressure (mbar)	Label no. (fig. 7)
I2H, I2E(LL)	3.8	A	20	10.5	DEFAULT
I2E+	3.3	A + C	20/25	20/25	487266718
I2L (LL)	3.8	A + D	20 OR 25	15.5	487266718
I3B/P, I3+	2.3	B	30, 28/37	30, 28/37	487266716
I3B/P (37)	2.1	B	37	37	487266717
I3B/P (50)	2.3	B	50	30	487266717

Conversion instructions - T4250 only:

1. Disconnect the power to the dryer.
2. Remove the back plate.
3. Remove nozzle.
4. Mount the enclosed nozzle (1), see Fig. 3.
5. Loosen the measuring branch screw (2) 1/4 turn; connect a manometer to the measuring branch (2), see Fig. 3.
6. Connect the power and select a programme with heat.
7. Start the dryer.
8. See nozzle pressure in table on the previous page Fig. 1 - set the nozzle pressure on setting screw (4) under cover screw (3), see Fig. 3.
9. Check that the gas flame burns evenly and has a bluish colour.
10. Mount the cover screw (3), see Fig. 3.
11. Mount the back plate.

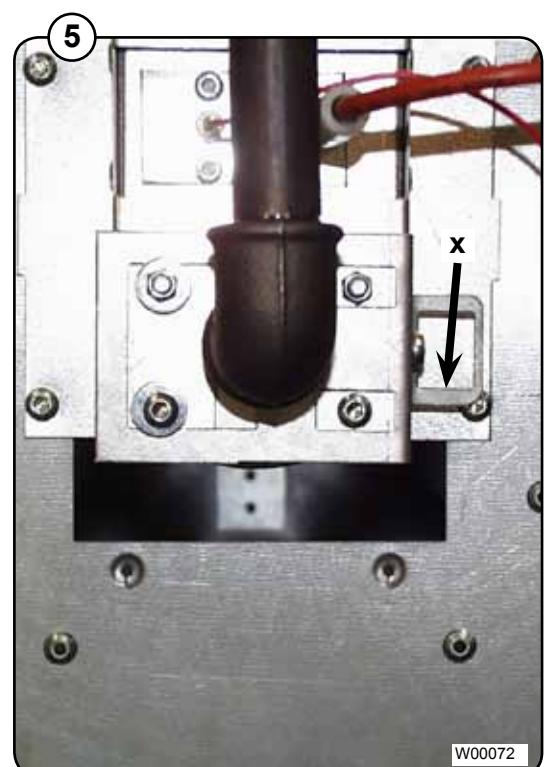
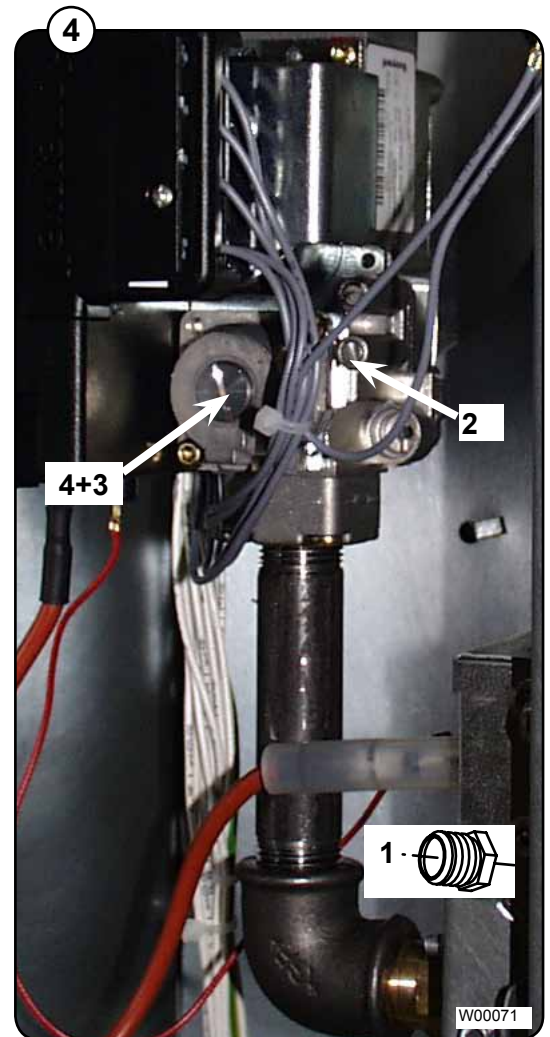
NOTE: After the conversion has been carried out, the enclosed sign with the new gas type printed on it **must** be affixed to the dryer data plate, see instructions on the last page.



Conversion instructions - T4350 only:

1. Disconnect the power to the dryer.
2. Remove the back plate.
3. Remove the screw on the side of the locking plate **x**, see Fig. 5.
4. Pull out the locking plate **x**, this releases the gas pipe, see Fig. 5.
5. Remove the nozzle.
6. Turn the pipe a little and mount the supplied gas nozzle, see Fig. 2.
7. Push pipe with new nozzle back into its place.
8. Push locking plate all the way in and tighten the screw.
9. Replace/mount air reducing plate according to table, see Fig. 2. All air reducing plate types are shown in Fig. 6.
10. Loosen the measuring branch screw (2) 1/4 turn; connect a manometer to the measuring branch (2), see Fig. 4.
11. Connect the power and select a programme with heat.
12. Start the dryer.
13. See nozzle pressure in table Fig. 2 - set the nozzle pressure on setting screw (4) under cover screw (3), see Fig. 4.
14. Check that the gas flame burns evenly and has a bluish colour.
15. Mount the cover screw (3), see Fig. 4.
16. Mount the back plate.

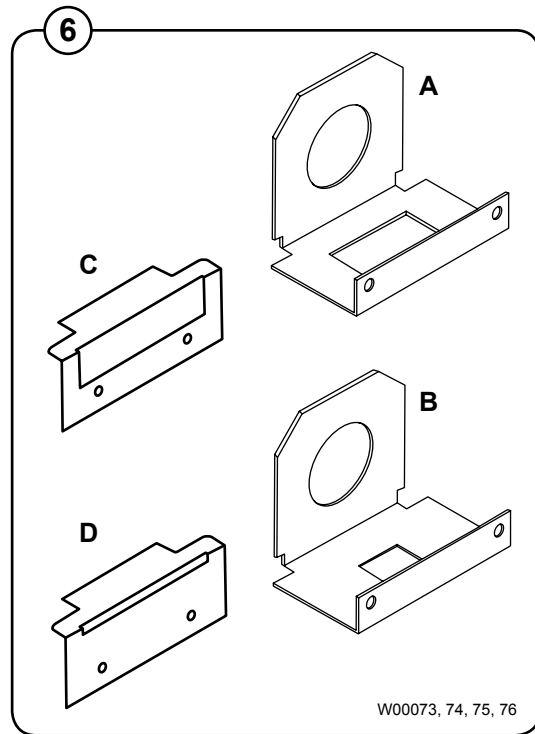
NOTE: After the conversion has been carried out, the enclosed sign with the new gas type printed on it **must** be affixed to the dryer data plate, see instructions on the last page.



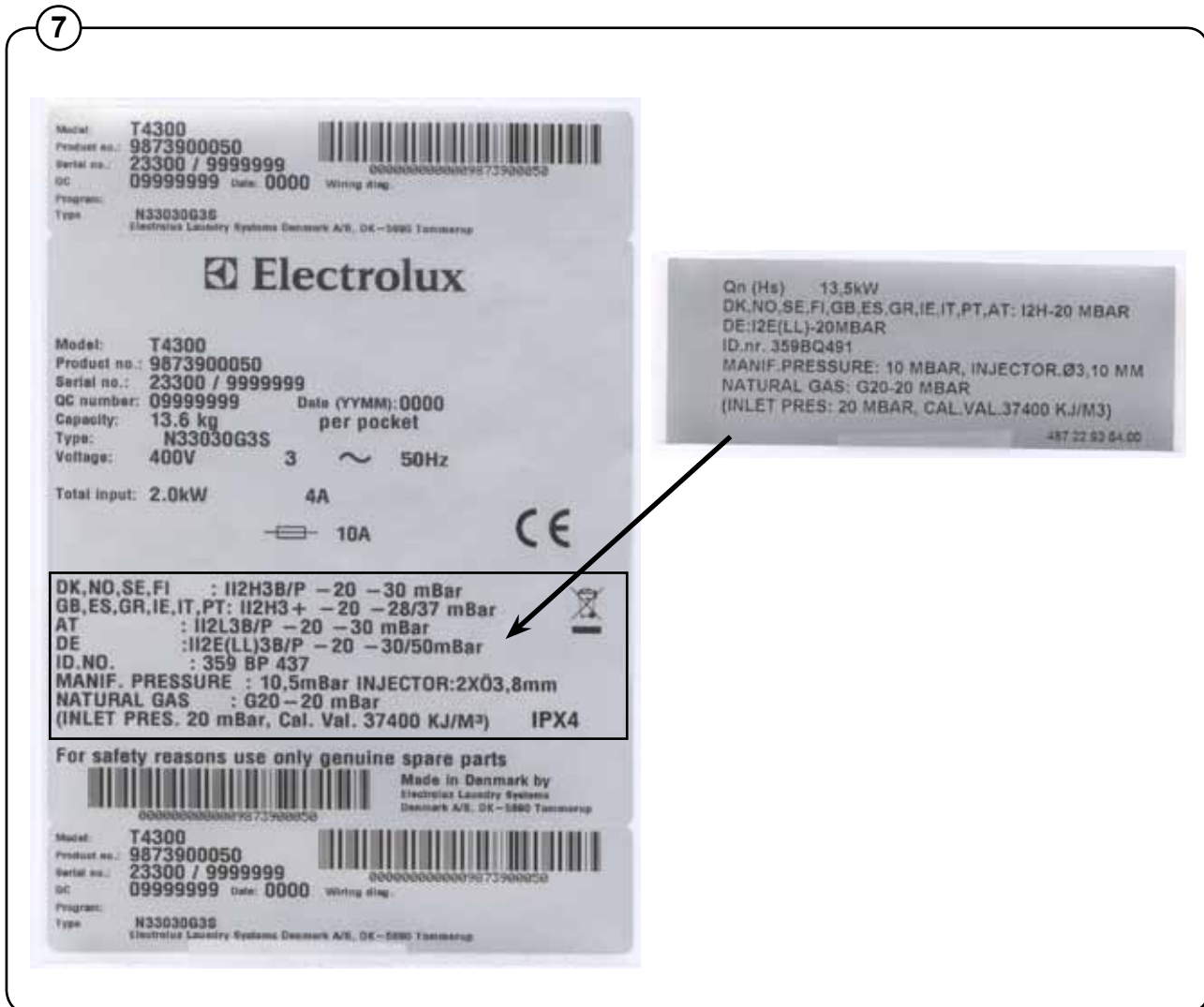
Installation

When the dryer is to be converted to another gas type, the data label on the rear of the dryer must be updated in order for the data to be correct.

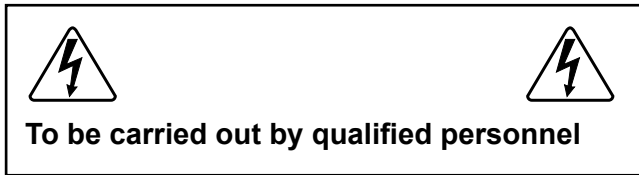
Place the data label enclosed in the conversion kit on top of the data label as shown below, see Fig. 7. For data label no. see Fig. 1 - T4250 or Fig. 2 - T4350.



W00073, 74, 75, 76



Electric installation - electric/gas/steamheated



The tumble dryer must be connected to its own fuse group and multi-pole main switch according to IEC 60947.

Connecting the cable

Demount the cover plate from the supply unit.

The cable is led through the cable gland to the terminal block and connected as illustrated. If there is a neutral conductor in the power supply line this must be connected to terminal N:

- ① Electrical heated with supply disconnecter
- ② Electrical heated
- ③ Gas and steam heated
- ④ Gas and steam heated with supply disconnecter

Cable dimension

For calculation of the connection cable dimension, please refer to local guidelines.

Fuse group and effect

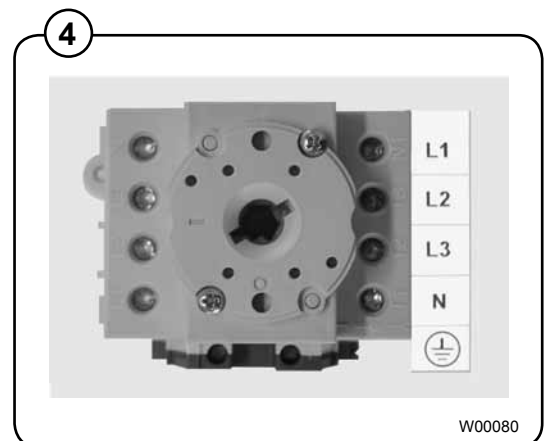
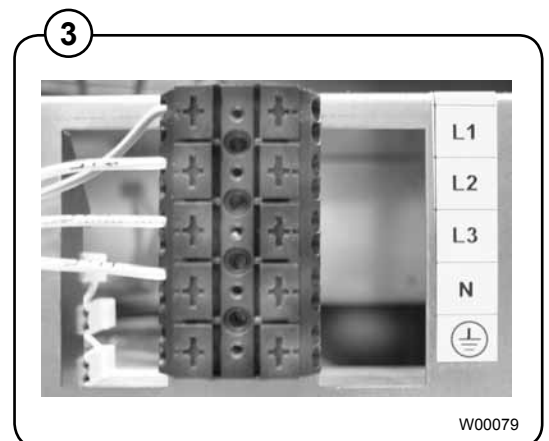
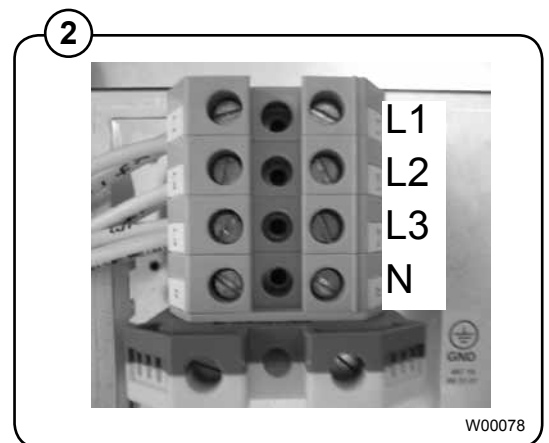
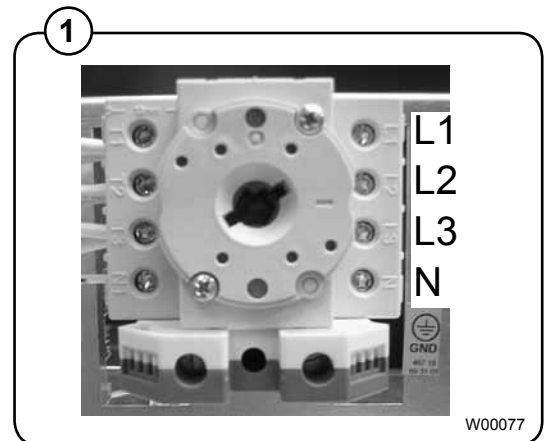
The sizes of the fuse group and the effect are shown on the following page.

Function check

The function check is described in the back of this manual.

NB: Correct direction of rotation is important!

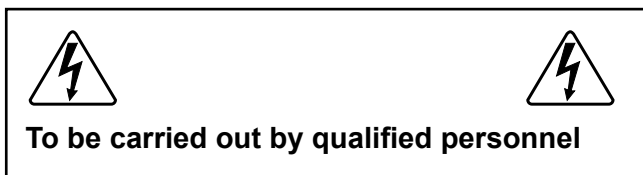
The tumble dryer must be equipped with supplementary protection in accordance with heavy current regulations.



Heat effect: Type 4250 = 6 kW / 9 kW / 13.5 kW

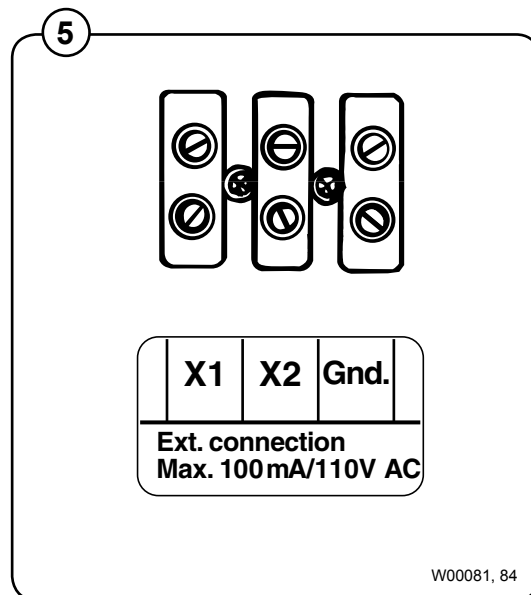
Heat effect: Type 4350 = 13.5 kW / 18 kW

Heating alternative	Voltage alternative	Heat effect kW	Motor effect kW	Max. effect kW	Fuse A
EI heating	230V 1AC 50Hz	6	1.0	6.6	30
	400-480V 3AC 60Hz	9	1.0	10.3	16
	400-415V 3AC 50Hz	9	1.0	10.3	16
	200-240V 3AC 50/60 Hz	9	1.0	10.3	35
	440-480V 3AC 60Hz	13.5	1.0	14.5	20
	400-415V 3AC 50Hz	13.5	1.0	14.5	25
	400-415V 3AC 60Hz	13.5	1.0	14.5	25
	200-240V 3AC 50/60 Hz	13.5	1.0	14.5	50
	440-480V 3AC 60Hz	18	1.0	19.3	25
	400-415V 3AC 50Hz	18	1.0	19.3	35
	400-415V 3AC 60Hz	18	1.0	19.3	35
	230-240V 3AC 50/60Hz	18	1.0	19.3	50
	200V 3AC 50/60Hz	18	1.0	19.3	63
Gas heating					
Steam heating	200-240V 3AC 50/60Hz	–	1.0	1.1	10
	400-415V 3AC 50Hz	–	1.0	1.1	10
	400-480V 3AC 60Hz	–	1.0	1.1	10
	230-240V 1AC 50Hz	–	1.0	1.1	10



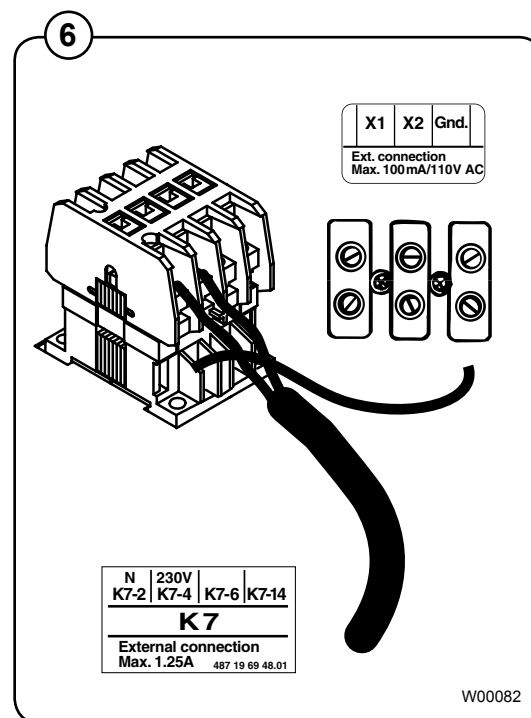
External connection - 100 mA

- 5 A special connection terminal is located on the connection console.
The terminal for external control is equipped with 110V/max.100mA and is intended solely for the operation of a contactor (external control of a fan).
Max. connection 100mA.
Gnd. must not be used for earthing of external board.

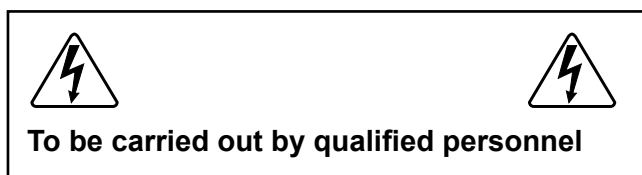


External connection - 1.25 A

- 6 If the dryer, from factory, is equipped with an external control with a max. 230V/1.25A connection this connection (1.25A) can be used as connection of an external fan.
Mount cable for external connection on contactor K7 in K7-2 and K7-4. Connect earth conductor to earth terminal in terminal for external connection.
Max. connection 1.25A.



Function check



Check whether the drum is empty and the door has been closed.

Start the machine

Check whether the door lock is working:
The drum must stop if the front door is opened.

Correct direction of rotation

- ① Correct direction of rotation on fan wheel: **clockwise**.

For dryers with a 3-phase motor the direction of rotation must be checked.

If the direction of rotation is not correct, swop two phases on the connection terminal.

Final test

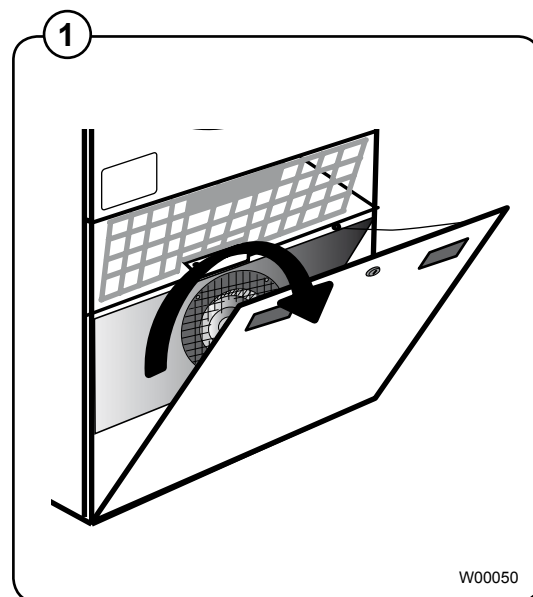
Let the dryer work for 5 minutes on a program that requires heat.

Then check whether the heating is working by opening the front door and feel the heat.

If the above tests-points are in order, the dryer is ready for use.

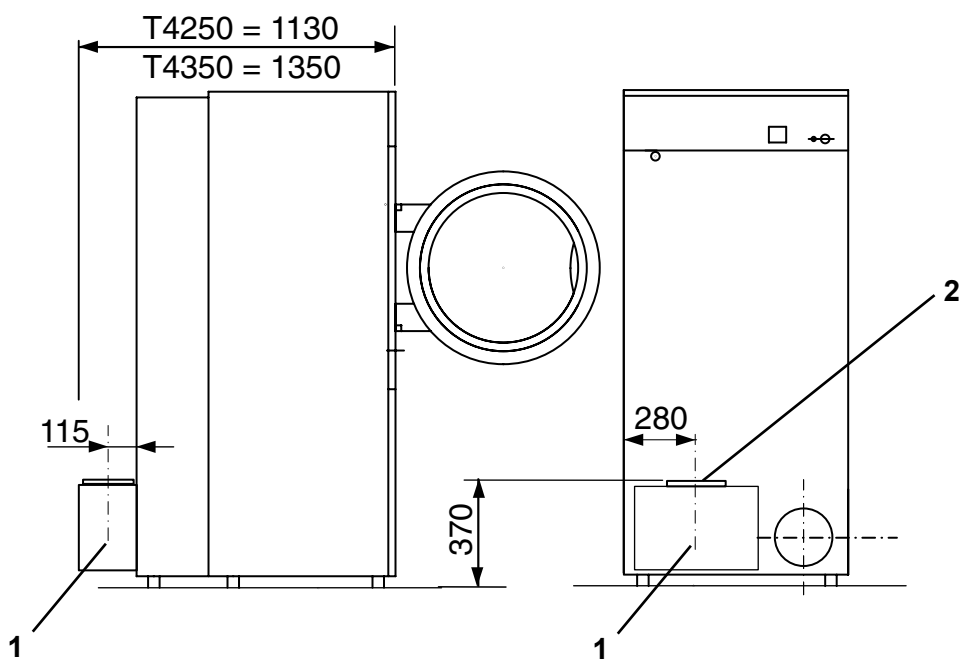
Service organisation / dealer

If deficiencies or errors are detected, please contact your local service organisation / dealer.



Dimension sketch - Adapter for direct fresh-air intake

1	Adapter kit no. 988 800 442 - Gas- and electric heated dryer
2	Diameter Ø200



Thinking of you

 **Electrolux**

Electrolux Laundry Systems Sweden AB
341 80 Ljungby, Sweden
www.electrolux.com/laundrysystems

Share more of our thinking at www.electrolux.com