

Washer extractor

W455H

Features and benefits

- **Compass Control**[®] microprocessor offers:
 - Large display and one dial for easy program selection
 - Language selection
 - Two Quick Start buttons for frequently used wash programs
 - Wash program packages optimized on *Economy, Performance and Time*
- **AWS – Automatic Weighing System with Compass Control** – determine the wash load and adopt the water intake accordingly. Savings on water and energy if machine is not fully loaded
- Extremely low water and energy consumption – see table below
- Four compartment soap box for manual dosing of powder or liquid detergent
- High extraction force for efficient dewatering
- Door with gasket and strong hinges built for heavy duty operation
- Stainless and galvanized steel in all vital parts for high degree of rust protection
- SuperBalance[™] guarantees the correct extraction force



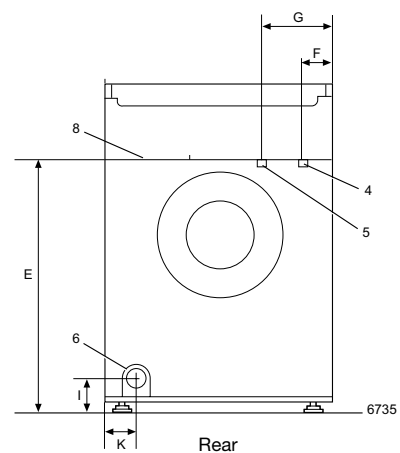
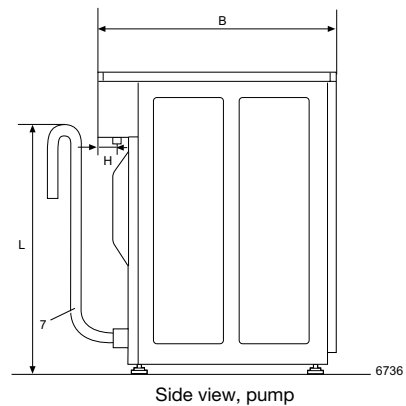
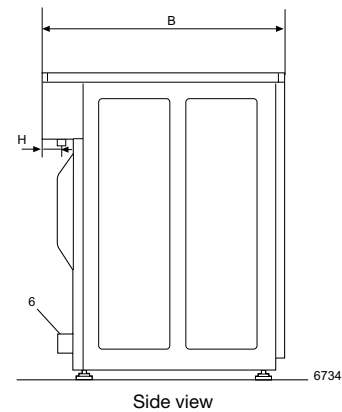
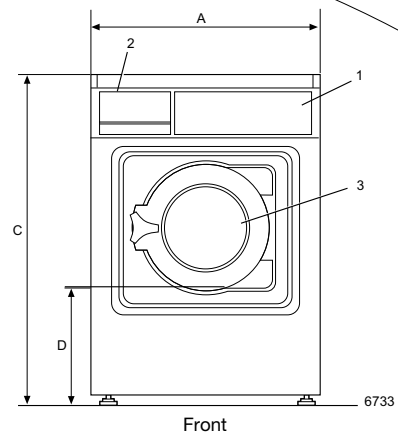
Main options

- Automatic liquid detergent supply (optional I/O board)
- Stainless steel front panel
- Connection to payment system or coin meter
- Drain pump
- Stacking kit to install tumble dryer T4130 on top to save space

| Main specifications | | | | W455H |
|--|-------------|-------|--|----------|
| Max. capacity | | kg/lb | | 6/13 |
| Drum, volume | | litre | | 53 |
| | diameter | ø mm | | 452 |
| Extraction | | rpm | | 1300 |
| G-factor | | | | 425 |
| Heating alternatives, 230/400V | electricity | kW | | 4.7 |
| | non-heated | | | x |
| Consumption data "Normal 60°C" * (3G01) | | | | |
| Total time | | min | | 46 |
| Water consumption (cold+hot) | | litre | | 52+9 |
| Energy consumption (motor/heating) | | kWh | | 0.2/0.35 |

* Water temperature 15°C cold water and 65°C hot water.

| Electrical connections* | | W455H | |
|-----------------------------------|------------------------|-------|-----------------------|
| Heating | Voltage | | |
| El. | 230V 1AC 50 Hz | kW(A) | 4.8(25) |
| | 230V 3 AC 50 Hz | kW(A) | 4.8(20) |
| | 208-240V 3AC 60 Hz | kW(A) | 4.8(20) |
| | 400-415V 3N AC 50 Hz | kW(A) | 4.7(10) |
| Non-heated | 208-240V 1AC 60 Hz | kW(A) | 0.9(10) |
| | 230V 1AC 50 Hz | kW(A) | 0.9(10) |
| Water connections | | | |
| Water valves | DN | | 20 |
| Water pressure | kPa | | 200-500 |
| Capacity at 300 kPa | l/min | | 17 |
| Drain valve | Ø mm | | 50 |
| Draining capacity | l/min | | 160 |
| Liquid detergent supplies | | | 4 |
| Floor requirements | | | |
| Frequency of the dynamic force | Hz | | 20 |
| Max floor load at extraction | kN | | 1.02±0.3 |
| Sound levels | | | |
| Sound power level (IEC 60704-2-4) | dB(A) | | 72 |
| Heat emission | | | |
| % of installed power, max | | | 5 |
| Shipping data | | | |
| | net, kg | | 99 |
| | crated, kg | | 109 |
| | boxed, kg | | 147 |
| Shipping volume | crated, m ³ | | 0.47 |
| Accessories | | | |
| Stainless steel fluff collector | | | x |
| Stacking kit with tumble dryer | | | x |
| Steel base | | | x |
| Dimensions in mm | | | |
| A | Width | | 595 |
| B | Depth | | 680 |
| C | Height | | 850 |
| D | | | 305 |
| E | | | 660 |
| F | | | 80 |
| G | | | 195 |
| H | | | 60 |
| I | | | 90 |
| K | | | 80 |
| L | | | 650 ± 50 |
| 1 | Control panel | 5 | Hot water |
| 2 | Soap box | 6 | Drain, valve |
| 3 | Door opening ø255 | 7 | Drain, pump |
| 4 | Cold water | 8 | Electrical connection |



Front and side panels in light grey with "Blue Wave" on front panel (RAL 260 70 05, 250 60 30)

* Other voltages available, see installation manual